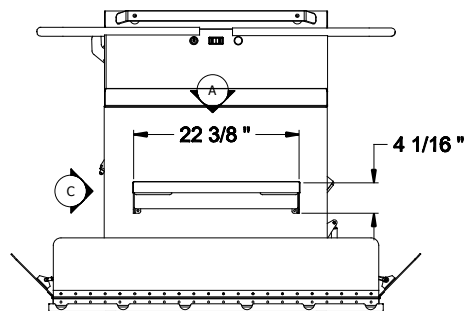
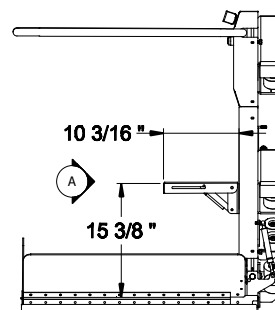


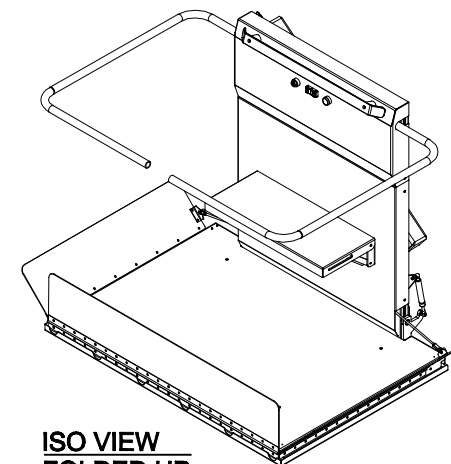
DETAIL A (TOP VIEW)
FOLDED UP



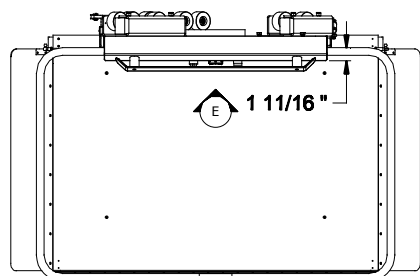
DETAIL B (ELEVATION VIEW)
FOLDED UP



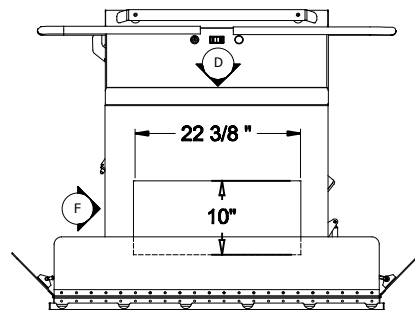
DETAIL C (SIDE VIEW)
FOLDED UP



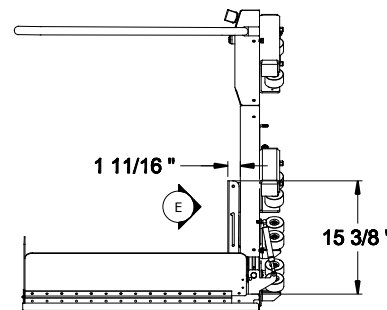
ISO VIEW
FOLDED UP



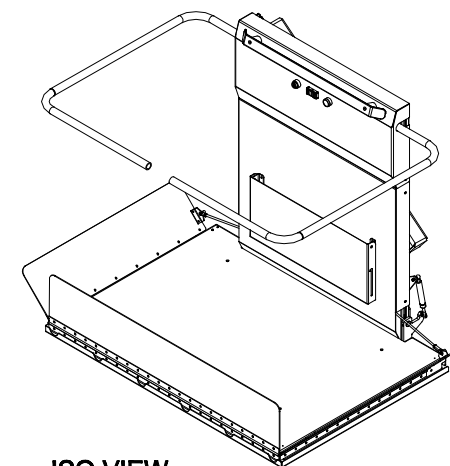
DETAIL D (TOP VIEW)
FOLDED DOWN



DETAIL E (ELEVATION VIEW)
FOLDED DOWN



DETAIL F (SIDE VIEW)
FOLDED DOWN



ISO VIEW
FOLDED DOWN

**1 FOLDING SEAT
FOR AC-105-CH**


Les Escalateurs Atlas Inc.
 3175 Boul. Choquette
 St-Hyacinthe (Québec)
 J2S 7Z8, Canada
 Tél: (450) 796-5708
 Fax: (450) 250-5110

Code: B-355 / 613

Safety: ± 1/16"

Drafter: M. Debusschere

Date: 16-05-2017

Title: **GENERALS INFORMATIONS
FOLDING SEAT**

Revision:

No drawing: C-05b

Status: INFORMATION

No Sheet: 1/1