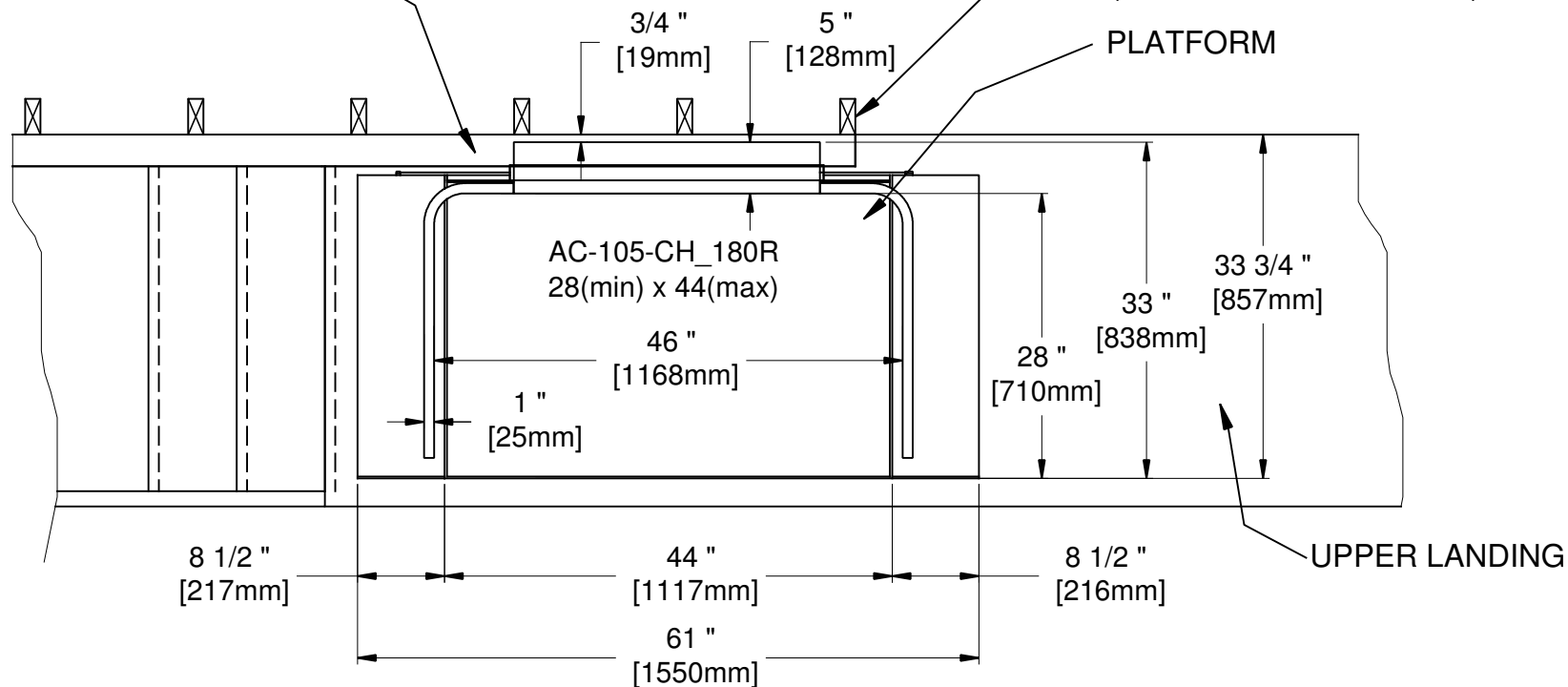


ANCHORING ESCALADER RAMP

ANCHOR
(SEE DOCUMENT AO-06)


PLATFORM



NOTE: TAKE WHEEL CHAIR
DIMENSION WHEN PLATFORM IS
UNDER 30" WIDTH

1 TOP VIEW
AC-105-CH

FOR REFERENCE ONLY
DO NOT USE FOR CONSTRUCTION

PROJECT:		GENERAL INFORMATION	
B-355 / B-613		 Les Escalateurs Atlas Inc. 3175 Boul. Choquette St-Hyacinthe (Québec) J2S 7Z8, Canada Tél: (450) 796-5708 Fax: (450) 250-5110	
CONFIGURATION DETAILS		AC-105-CH_DIMENSIONS	
Code:	B-613 & B-355	No Drawing:	
Lift cage:	42" HEIGHT	Drafter:	M. Debusschere
Date:	03-16-2018	No:	AO-07
Status:	INFORMATION	No Sheet:	
		Revisión:	2