



US00D629665S

(12) **United States Design Patent**
Rashid

(10) **Patent No.:** **US D629,665 S**

(45) **Date of Patent:** **** Dec. 28, 2010**

(54) **OFFICE SCISSORS**

D590,677 S * 4/2009 Pearson et al. D8/57

(75) Inventor: **Karim Rashid**, New York, NY (US)

* cited by examiner

(73) Assignee: **Slice, Inc.**, Campbell, CA (US)

Primary Examiner—Cathron C Brooks

Assistant Examiner—Deanna Fluegeman

(**) Term: **14 Years**

(74) *Attorney, Agent, or Firm*—The Sigma Law Group LLC;
James Michael Smedley, Esq.

(21) Appl. No.: **29/349,173**

(57) **CLAIM**

(22) Filed: **Mar. 11, 2010**

I claim the ornamental design for office scissors, as shown and described.

(51) **LOC (9) Cl.** **08-03**

(52) **U.S. Cl.** **D8/57**

(58) **Field of Classification Search** D8/4,
D8/5, 51–58, 105, 107; D21/532; D28/44,
D28/57; 7/135, 136; 30/131, 195, 229, 194,
30/230–235, 268, 350, 254–258
See application file for complete search history.

DESCRIPTION

FIG. 1: is the front orthographic view of the office scissors showing my new design;

FIG. 2: is the back orthographic view of the office scissors thereof;

FIG. 3: is the right orthographic view of the office scissors thereof;

FIG. 4: is the left orthographic view of the office scissors thereof;

FIG. 5: is the top orthographic view of the office scissors thereof;

FIG. 6: is the bottom orthographic view of the office scissors thereof;

FIG. 7: is the front orthographic view of the office scissors in the open position thereof;

FIG. 8: is the back orthographic view of the office scissors in the open position thereof;

FIG. 9: is the bottom perspective view when viewing from the front thereof; and,

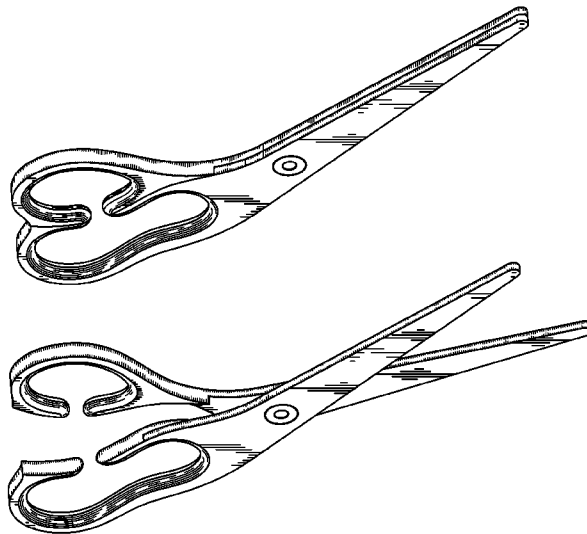
FIG. 10: is the bottom perspective view when viewing from the front in the open position.

(56) **References Cited**

U.S. PATENT DOCUMENTS

176,519	A	*	4/1876	Does	30/262
2,195,353	A	*	3/1940	Atchison	30/258
3,486,227	A	*	12/1969	Somervell	30/250
D248,726	S	*	8/1978	Okada	D8/57
D249,631	S	*	9/1978	Hellmann	D8/57
D258,560	S	*	3/1981	Stout	D8/57
D259,325	S	*	5/1981	Okada	D8/57
4,485,507	A	*	12/1984	Kantwerk	7/135
4,598,477	A	*	7/1986	Quick	30/260
D296,295	S	*	6/1988	Cain	D8/57
D297,206	S	*	8/1988	Hayashi	D8/57
D319,942	S	*	9/1991	Schubert	D8/57
5,079,801	A	*	1/1992	Peterson	7/135
D381,565	S	*	7/1997	Hibberd	D8/5
D484,378	S	*	12/2003	Bodum	D8/57
D496,837	S	*	10/2004	Tomchak et al.	D8/5
D506,913	S	*	7/2005	Phillips et al.	D8/57
D569,701	S	*	5/2008	Haquin	D8/57
D581,758	S	*	12/2008	Kolodsiejski	D8/57

1 Claim, 5 Drawing Sheets



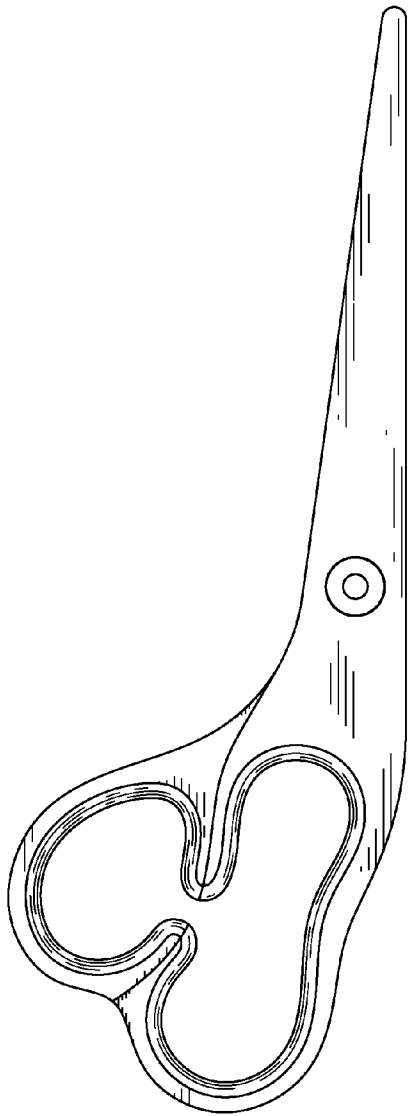


FIG. 1

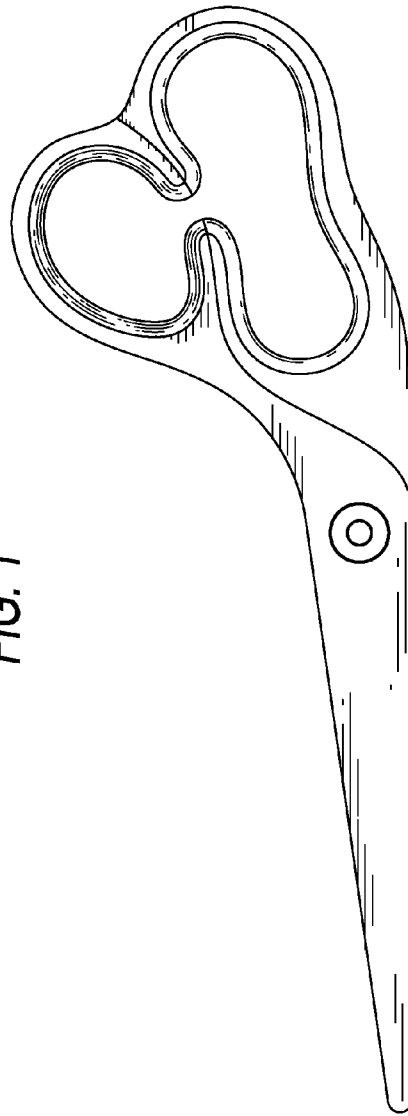


FIG. 2



FIG. 3



FIG. 4



FIG. 5



FIG. 6

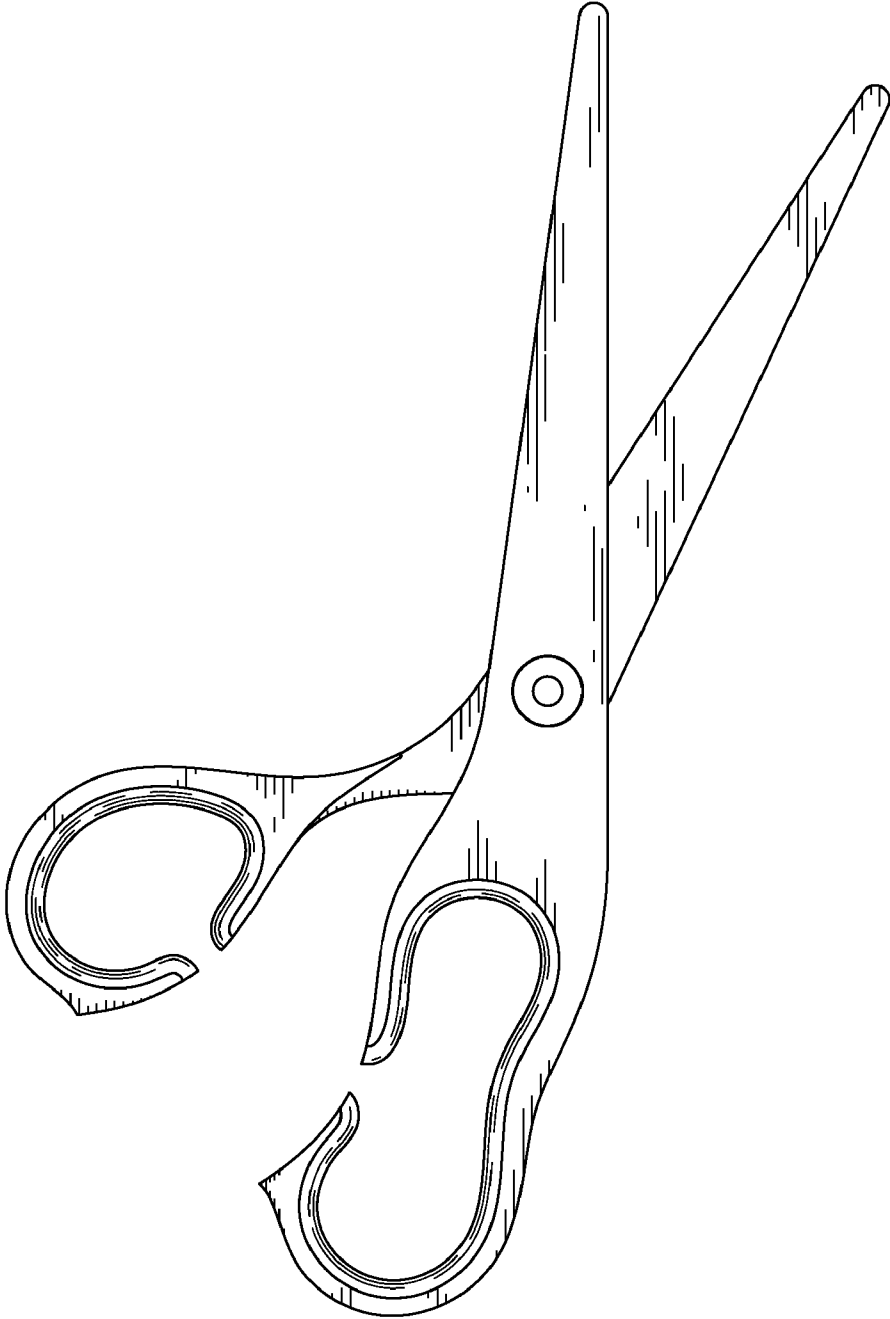


FIG. 7

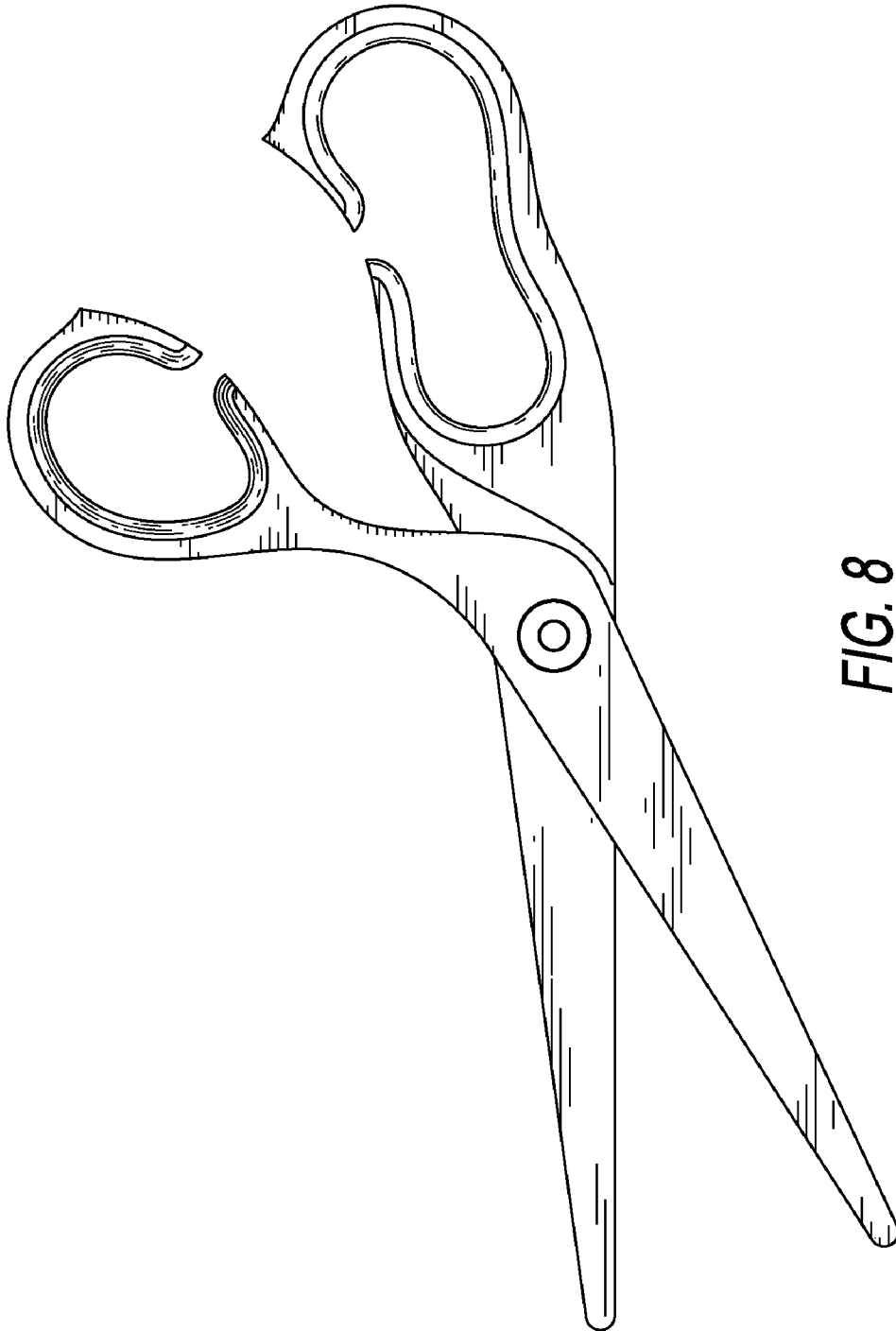


FIG. 8

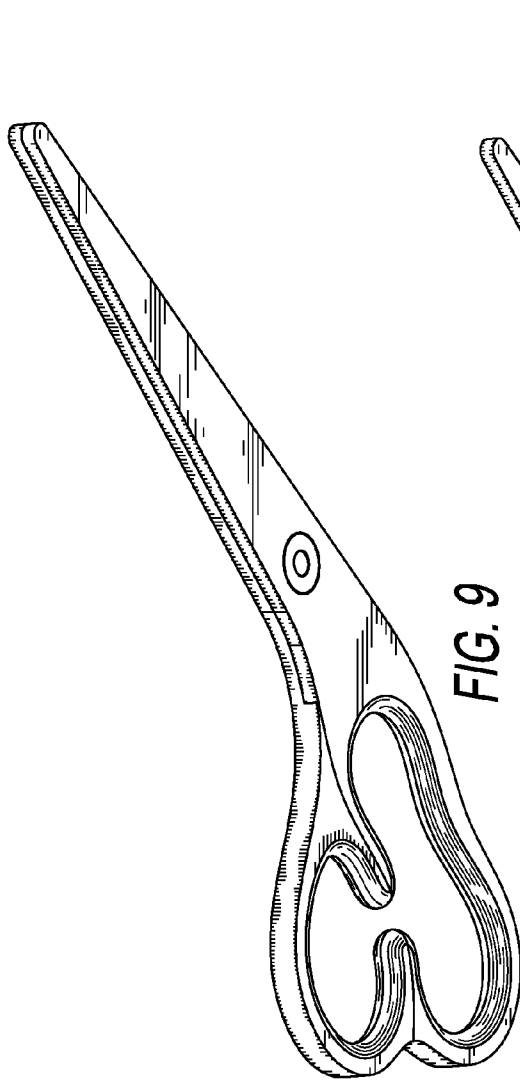


FIG. 9

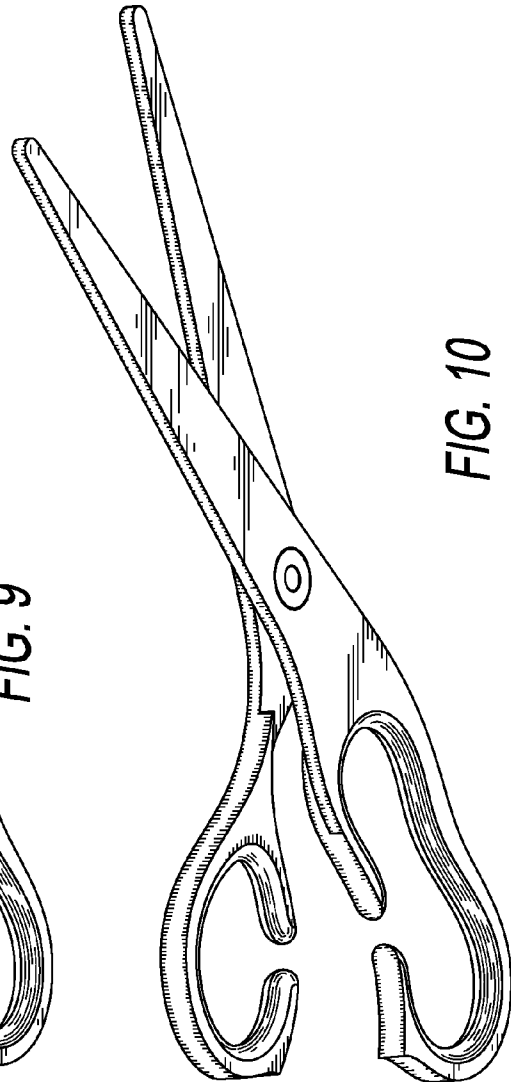


FIG. 10