

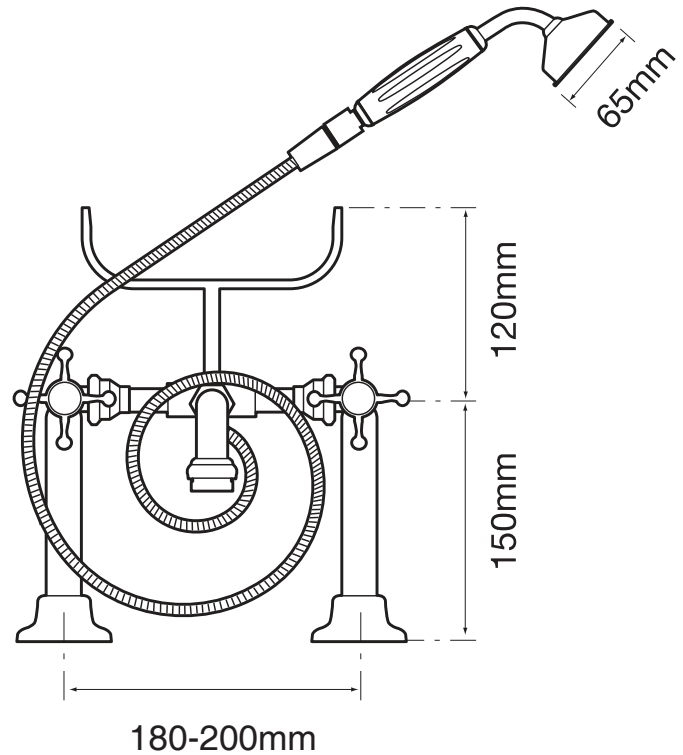
FEDERATION | F9355 Specifications

hob mounted exposed bath set
with hand held

tribata.

melbourne. sydney. shanghai.

www.tribata.com.au



Features

Recommended Use	Domestic, Commercial, Hotel
Material	Brass Body
Handle	Cross Handle, Lever Handle, Porcelain Lever Handle
Finishes	Satin Chrome, Nickel, Brushed Nickel, Gold, Brass Gold N18, Brushed Gold N18, Rose Gold, Brushed Rose Gold, Matt Black, Black Sapphire, Brushed Black Sapphire, Gunmetal, Satin Pearl, Copper, Antique Copper
Dimensions	65W x 200D x 270H mm
Standards	AS/NZS 3718
WELS Rating	Flow Rate: 9L/min, Stars: 3



Disclaimer:

Products in this specification manual must by regulation be installed by licensed and registered trade people. Under our commitment to product development and improvement, we may change product specifications and dimensions or delete models from the range without prior notification. Dimensions and set-outs listed are correct at time of publication and could contain dimensions which are approximate due to tolerances in manufacturing processes. It is important that you thoroughly review the product and check specifications and dimensions prior to surface preparation, cut-out and installation.

During the installation of the product by a qualified trained personnel, make sure that the entire fastening surface is even and smooth (no protruding seams or tile offset), that the finish of the wall is suitable to apply the product and has no weak points. It is recommended that all accessories are secured to timber studs.

BASTOW™

FEDERATION | F9355 Specifications

hob mounted exposed bath set
with hand held

tribata.

melbourne. sydney. shanghai.

www.tribata.com.au

Cleaning Instructions

We recommend the use of soapy water or approved cleaners.

This product should not be cleaned with abrasive materials.

Damage caused by any improper treatment is not covered by the product warranty - refer to our Warranty Conditions.

Specifications

Pressure Rating	As per AS/NZS3500 pressure must be limited to 500kPa on any new home, extension or renovation. For best performance and longer life we recommend 150-500kPa. Hot and cold water inlet pressure should be equal.
Temperature Rating	80°C maximum continuous working temperature
Suitable Hot Water Units	Storage Tank - Yes Continuous Flow - Yes Gravity Feed - Not Suitable

For the Plumber

Check 1. All work should be carried out by a licensed plumber. Responsibility will not be accepted by Tribata for incorrect installation of this tapware, or any tapware not installed by a Registered Plumber.

Check 2. The water supply lines need to be 'flushed out' prior to installation. This will avoid any foreign materials blocking the flow regulator, damaging the cartridge/valve and reducing the flow of water.

Check 3. Ensure all connections are tight.

Check 4. Turn on the main water supply and check for leaks.

Plumbers, please ensure a copy of the installation instructions is left with the end user for future reference

Disclaimer:

Products in this specification manual must by regulation be installed by licensed and registered trade people. Under our commitment to product development and improvement, we may change product specifications and dimensions or delete models from the range without prior notification. Dimensions and set-outs listed are correct at time of publication and could contain dimensions which are approximate due to tolerances in manufacturing processes. It is important that you thoroughly review the product and check specifications and dimensions prior to surface preparation, cut-out and installation.

During the installation of the product by a qualified trained personnel, make sure that the entire fastening surface is even and smooth (no protruding seams or tile offset), that the finish of the wall is suitable to apply the product and has no weak points. It is recommended that all accessories are secured to timber studs.

BASTOW™

FEDERATION | F9355 Specifications

hob mounted exposed bath set
with hand held

tribata.

melbourne. sydney. shanghai.

www.tribata.com.au

Installation Instructions

IMPORTANT INFORMATION, please read before starting installation.

CHECK 1

Before installation, please ensure that you have checked the assembly of all components and joints.

CHECK 2

Always use plumbers tape or a recommended sealing compound on all threaded joints.

CHECK 3

Please pressure test the tapware prior to installation using recommended testing equipment.

CHECK 4

The installer is responsible for selecting the correct fittings and that the distances are correct before installation.

Disclaimer:

Products in this specification manual must by regulation be installed by licensed and registered trade people. Under our commitment to product development and improvement, we may change product specifications and dimensions or delete models from the range without prior notification. Dimensions and set-outs listed are correct at time of publication and could contain dimensions which are approximate due to tolerances in manufacturing processes. It is important that you thoroughly review the product and check specifications and dimensions prior to surface preparation, cut-out and installation.

During the installation of the product by a qualified trained personnel, make sure that the entire fastening surface is even and smooth (no protruding seams or tile offset), that the finish of the wall is suitable to apply the product and has no weak points. It is recommended that all accessories are secured to timber studs.

BASTOW™
