



SENTINEL SERIES

MONITORING CONSOLE SYSTEM

Product Spotlight

The Sentinel ergonomic consoles feature sit-stand adjustable monitor positioning for user-defined comfort with the additional benefit of our new Technology Management Rail system to provide perfect sightlines to monitors mounted without tools to the console, as well as monitor walls for reliable viewing of the constant stream of information from CCTV and surveillance cameras. The optional tilt surface feature, unique in the security industry, allows for storage and rapid deployment of workstations typically specified by law enforcement agencies and corporate security training centers.

Sentinel Series Highlights

- 1 Screen array mounts to rail with quick connect feature without tools
- 2 Power/Cableway Bridge is toolless for rapid deployment and can pivot to create concaved/convex configurations
- 3 12x18 Power/Cableway designed to accept small format PC & thin clients



Benefits

- Heavy-duty steel construction
- Sit-stand travel range
- Sturdy 3-part lifting columns
- Max travel speed: 38mm/s
- Integrated touch panel with height display and 3 memory positions
- 48", 60" and 72" widths
- A large variety of standard finishes available
- Made in USA
- Optional tilt surface feature for effective workstation storage

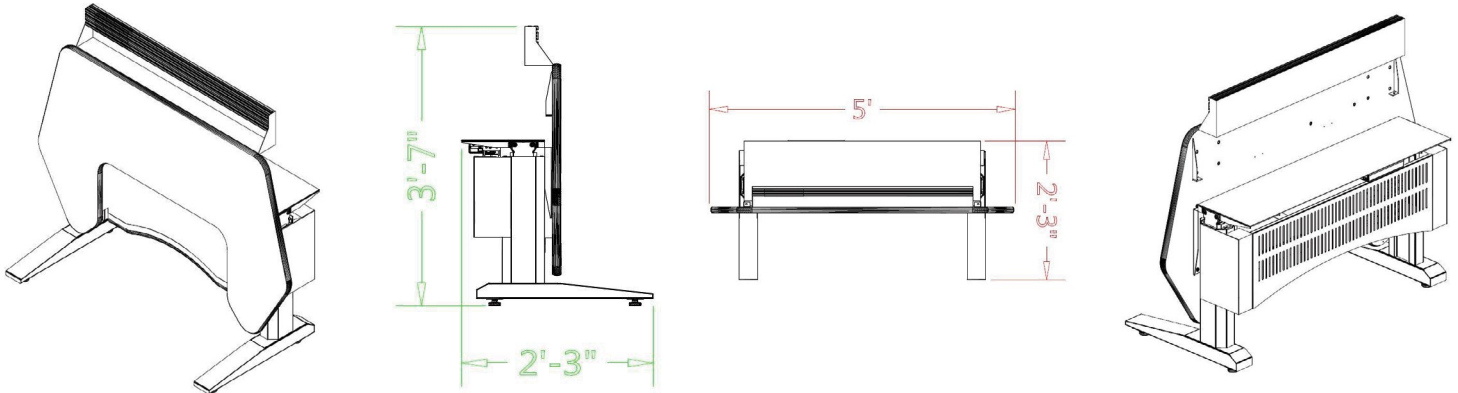


Second tier capability
w/cockpit arrangement

SENTINEL SERIES

MONITORING CONSOLE SYSTEM

Optional Tilt Surface for Nesting, Storage & Transport



Matching Height Adjustable Huddle Table

- Available with screen-sharing technology for instant collaboration from all digital devices
- Accommodates screens up to 50 pounds



Standing height for brief catch up collaboration and screen sharing



Seated height for longer collaboration with screen sharing and video conferencing