



*Mounted vertically under desk*



*Mounted horizontally under desk*

### ***Console Management System***

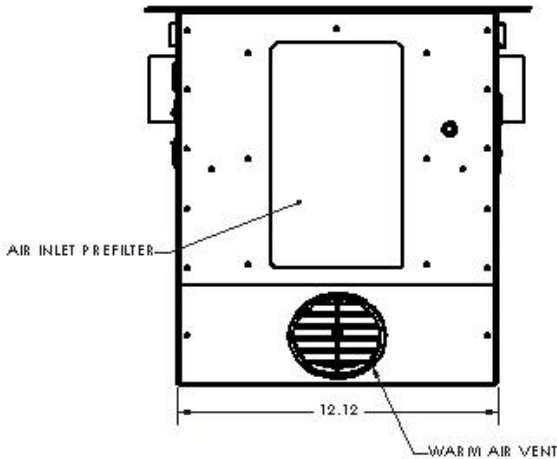
Micro Environments (model ME200) console management systems are attached to a personal work surface and combine environmental control, lighting control and lift functions inside a single unit. This desktop management system features a non-fixed controller, allowing users the flexibility to position the controller anywhere on their desk.

### **Standard Features**

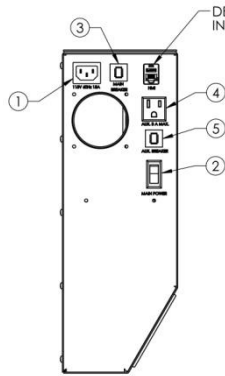
- Adjustable louvers allow air to be directed at the user
- Forced air heating – variable output
- Non-fixed controller for user placement convenience
- Variable speed cooling fan
- Integrated Linak leg lift control
- Task light dimming
- Optional motion sensor that shuts down fan, heater and task lighting after ten (10) minutes of inactivity



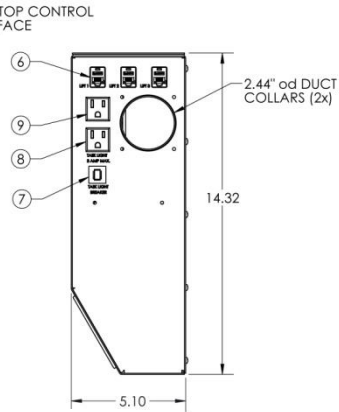
**ME200 Front View**



**Left side**



**Right side**



- |   |                                  |
|---|----------------------------------|
| 1 | IEC POWER CORD RECEPTACLE        |
| 2 | MAIN POWER SWITCH                |
| 3 | MAIN CIRCUIT BREAKER             |
| 4 | AUXILLARY OUTLET                 |
| 5 | AUXILLARY OUTLET CIRCUIT BREAKER |
| 6 | LEG LIFT INTERFACE CONNECTOR     |
| 7 | TASK LIGHT CIRCUIT BREAKER       |
| 8 | TASK LIGHT OUTLET                |
| 9 | TASK LIGHT OUTLET                |

### Standard Features

Cooling	0- 1500fpm
Heat	0-350W
Lighting	0-100%, Max 3A load, 2 outlets, dimmable versatility
Lifts	2 Linak lifts controlled by RJ12 connector (Linak Model CBD6S only)
Auxiliary outlet	Andon or other (cell phone charger, radio, etc.)
Commercial grade	Powder coated, lightweight aluminum
Controls	Capacitive touch technology
Filtration	MERV 7
Optional motion sensor	10-minute turn off with no activity; returns to last setting upon activation

U. S. Patent No. D786096

