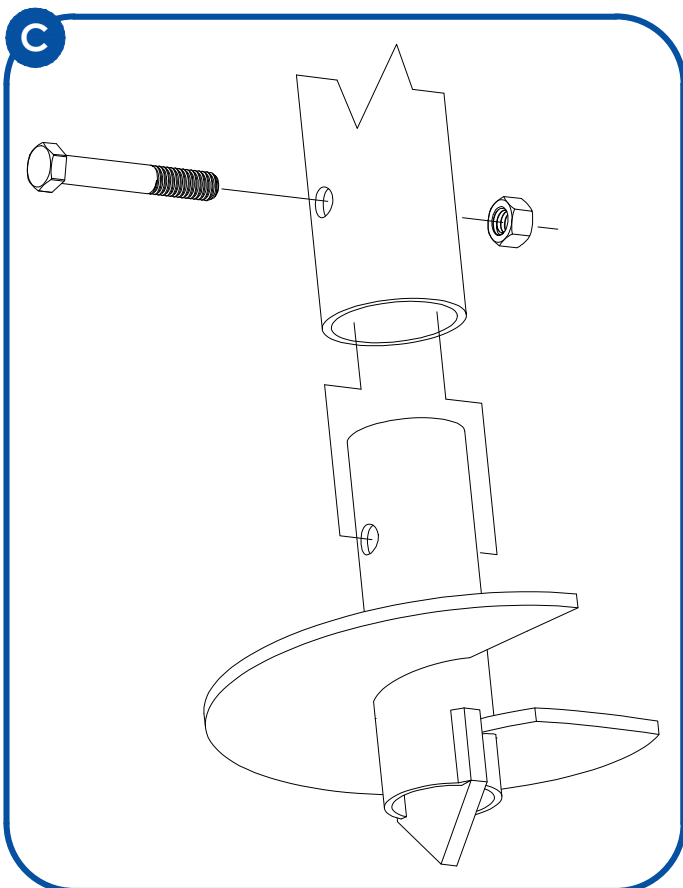


DIFFERENT HELICAL ANCHOR OPTIONS (FROM LEFT TO RIGHT):  
 STANDARD ONE-PIECE MODULAR ANCHOR  
 TWO-PIECE MODULAR ANCHOR (MODULAR TOP, SUPER ANCHOR BOTTOM)  
 STANDARD READY RACK ANCHOR  
 TWO-PIECE READY RACK ANCHOR (READY RACK TOP, READY RACK XL BOTTOM)

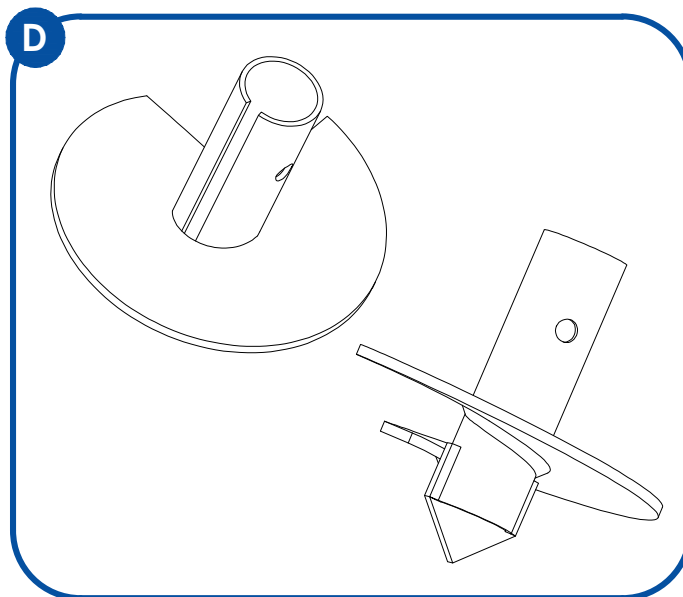
DIFFERENT HELICAL ANCHOR OPTIONS AS SEEN UNDERGROUND. ALL EXPOSED HEIGHTS, EMBEDMENT DEPTHS, AND MATING TUBE LENGTHS CUSTOMIZED PER PROJECT.



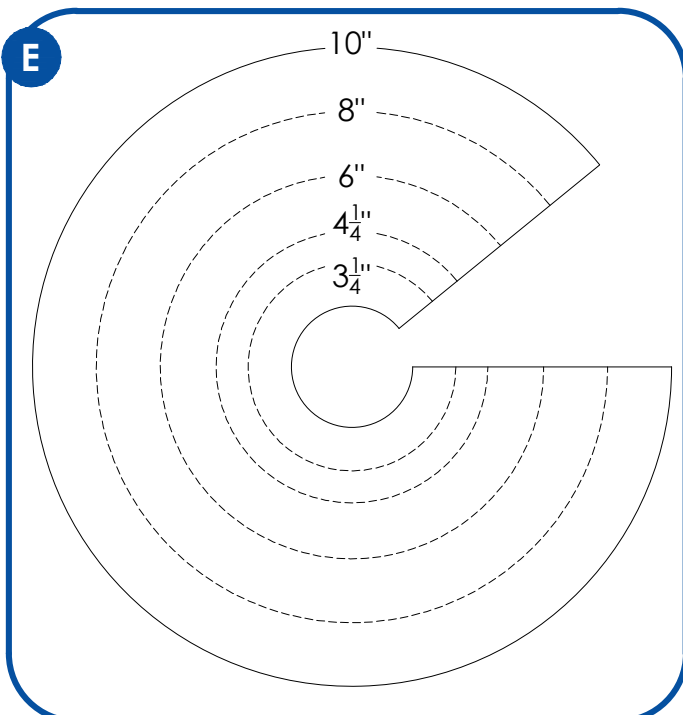
EASY BOLT-ON DESIGN ALLOWS HELIX TO BE EASILY SWAPPED.

**Helical Ground Anchor Inserts**

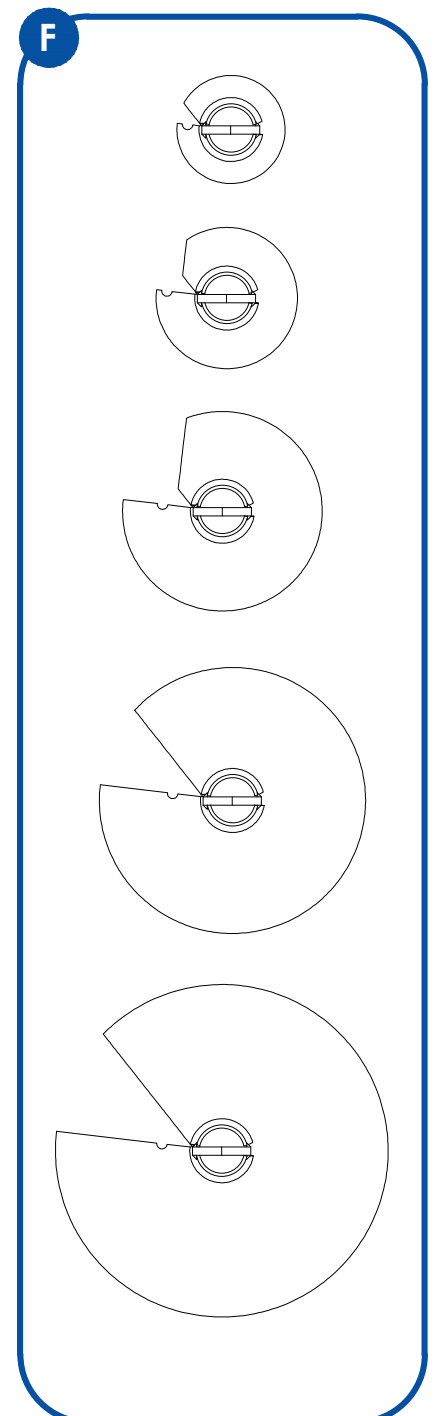
Helical ground anchors are an effective method of securing foundations to the earth, and with the proper equipment, can enable installation speeds that are much faster than many other methods. Helix inserts come in several different sizes, to accommodate whatever needs your project has (fig. E, F). Increased helix sizes enable greater strength, and higher resistance to pullout due to environmental factors. When you purchase a turnkey package, there is no need to worry, as our team of engineers will test your potential site location and determine the optimal helix size to save you money, while keeping your investment safe.



CLOSEUP OF A STANDARD HELIX ASSEMBLY



COMPARISON OF COMMON HELIX SIZES.



BOLT-ON HELIX ASSEMBLIES