




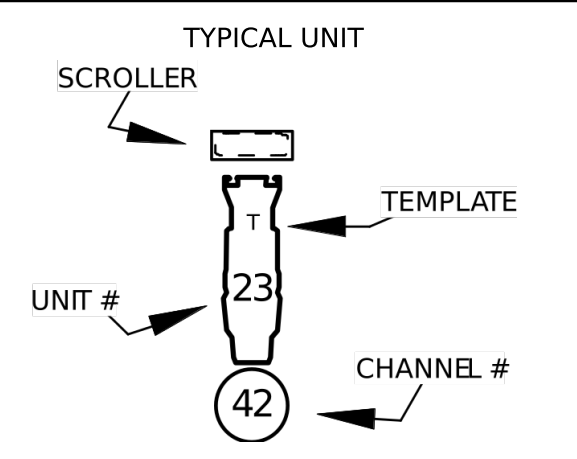
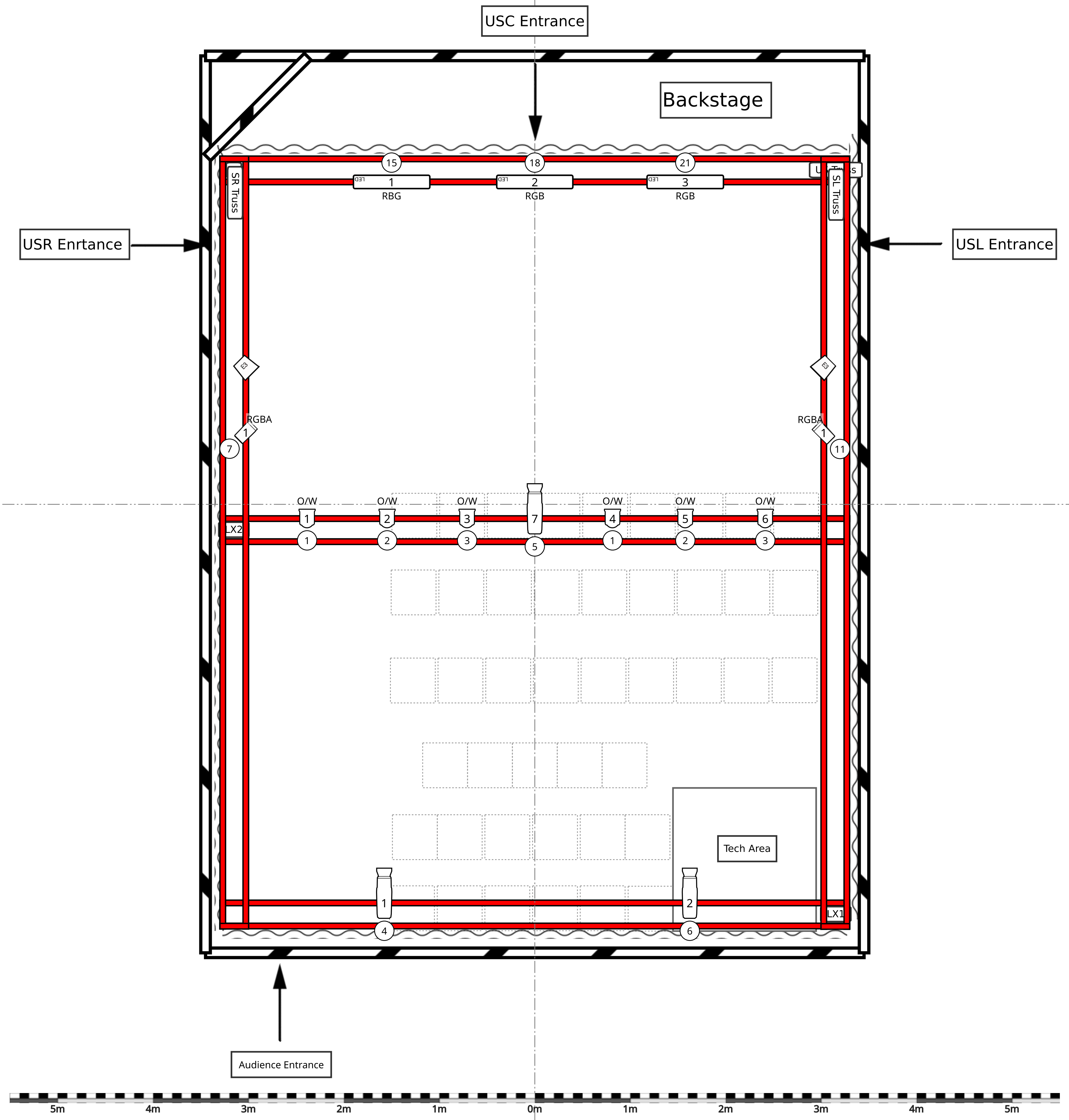


- SYMBOL KEY**
-  Selecon Axial Acclaim Profile 24-44 Deg.
 -  Selecon Acclaim Fresnel (500W)
 -  Chauvet COLORdash S-Par 1
 -  Briteq PowerPixel8
 -  D&B E3



THIS DRAWING REPRESENTS VISUAL CONCEPTS AND CONSTRUCTION SUGGESTIONS ONLY. IT DOES NOT REPLACE THE KNOWLEDGE AND ADVICE OF A LICENSED STRUCTURAL ENGINEER. THE DESIGNER IS UNQUALIFIED TO DETERMINE THE STRUCTURAL APPROPRIATENESS OF THIS DESIGN AND WILL NOT ASSUME RESPONSIBILITY FOR IMPROPER ENGINEERING OR USE.

Callum Graham
Greenside Venues
07585 112144
callum@greensidevenue.co.uk

This drawing and all related paperwork, design concepts, and the resultant lighting design are the property of Callum Graham. Any attempt to use, reproduce, or otherwise alter these materials without the consent of Callum Graham is expressly forbidden.

PRODUCED BY:
Greenside Venues Ltd.
Darren Neale & Tara Stapleton

DIRECTED BY: **DIRECTOR**
SCENIC DESIGN: **SET DESIGNER**
COSTUME DESIGN: **COSTUME DESIGNER**
SOUND DESIGN: **SOUND DESIGNER**
LIGHTING DESIGN: **Callum Graham**
TECHNICAL DIRECTOR: **TECHNICAL DIRECTOR**
MASTER ELECTRICIAN: **MASTER ELECTRICIAN**

Ivy Studio

Theater Name
City, State

SCALE: 1:25
EXCEPT WHERE NOTED
DATE: ISSUE DATE
REVISION:
DRAWN BY:

DRAWING No.
1
OF 1

PLOT