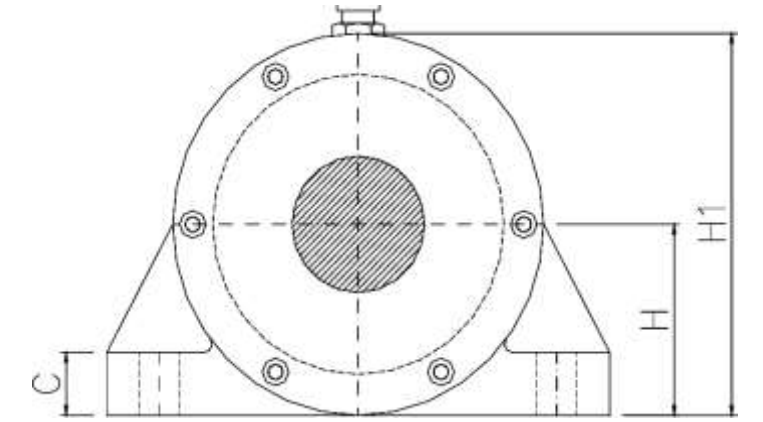
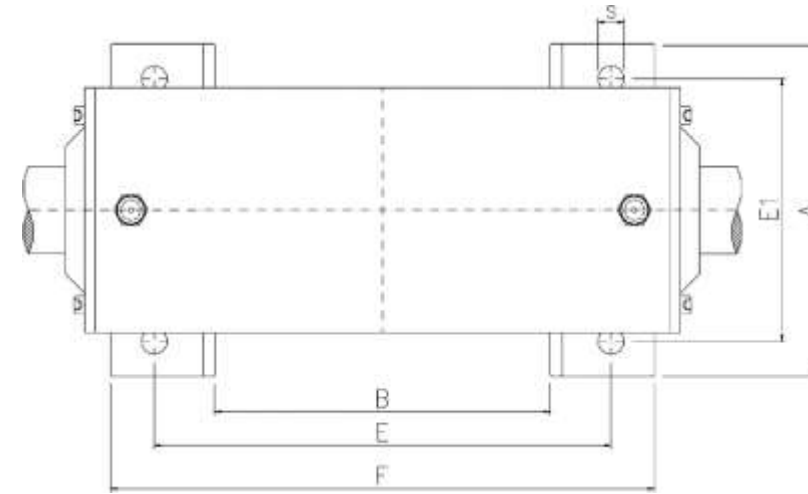
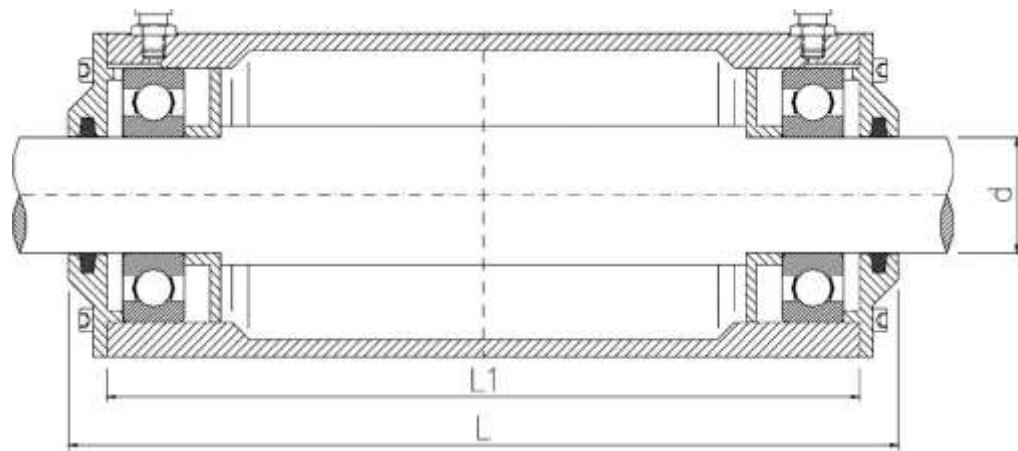


BL Series – Fan Bearing Housings
Available in Grey Cast Iron, SG Iron or Cast Steel.



These housings are especially suitable for ventilation fans running with a higher speed than common pillow blocks.

Since misalignment errors are largely excluded, ball bearings can be installed in these housings.

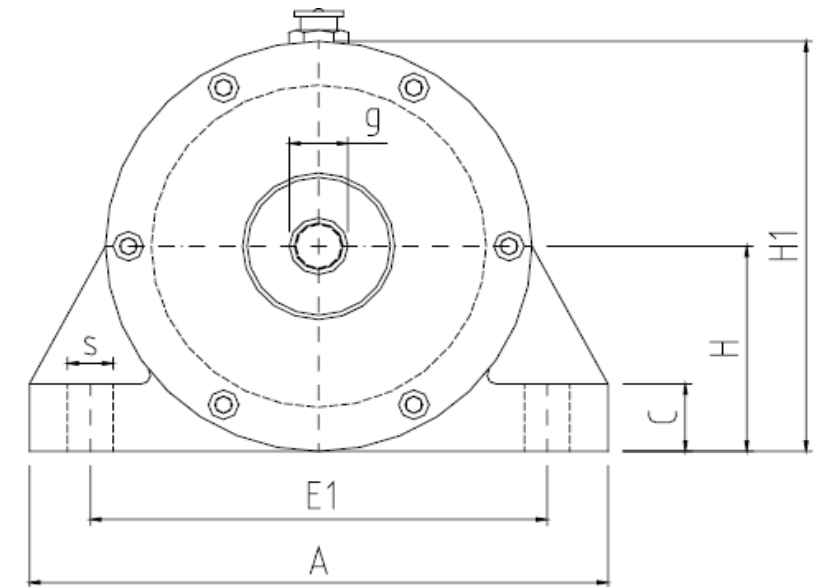
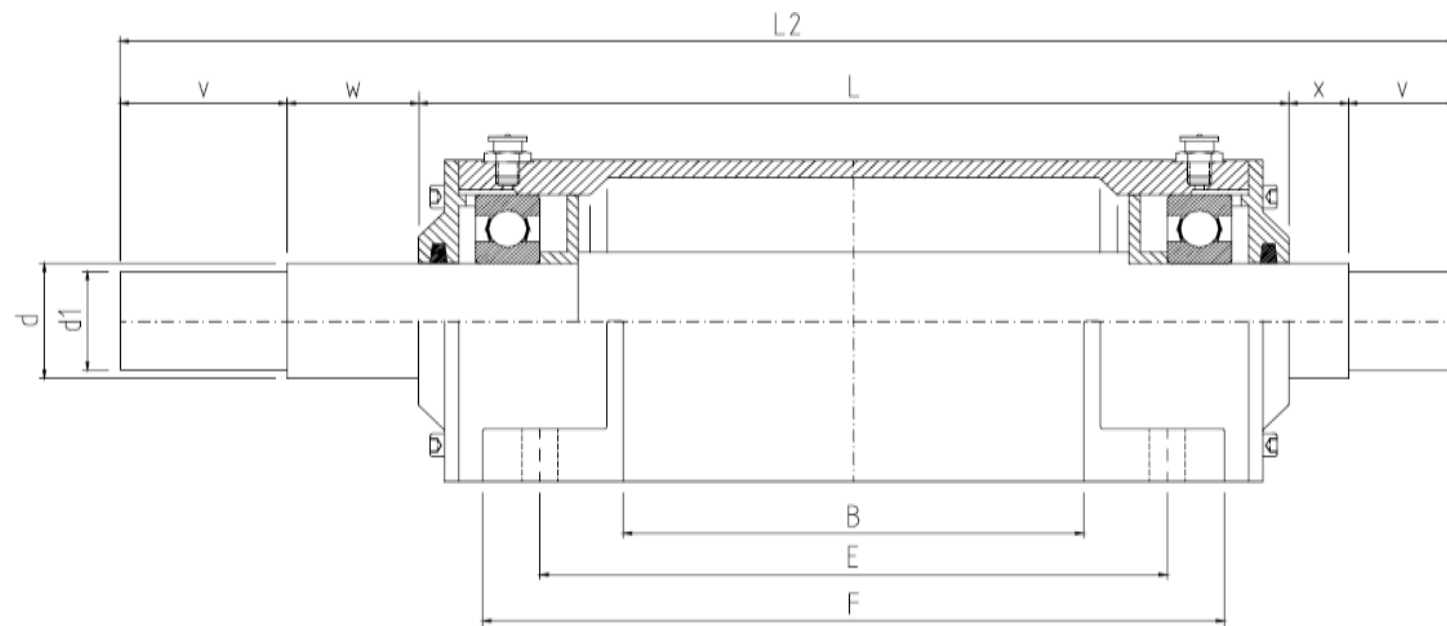
The grease quantity control discs on both sides simplify maintenance and throw excess grease into the middle of the large housing space.

Part No.	Dimensions (mm)												Bearings	Spring Washer	Max. Speed (rpm)	First fill (g)	Regreasing (g)	Weight (kg)
	d	L	L1	A	F	E	E1	B	H1	H	C	s						
BL 25	25	218	184	155	171	135	120	89	95	50	16	11,5	6305 C3	6200-6305	11000	50	5	6,5
BL 30	30	300	266	170	250	210	130	150	100	50	18	15	6306 C3	6200-6306	9000	60	5	7,8
BL 35	35	330	296	190	260	240	150	160	120	60	20	15	6307 C3	6200-6307	8500	80	5	9,2
BL 40	40	330	296	190	260	240	150	160	120	60	20	15	6308 C3	6200-6308	7500	110	10	10,7
BL 40 S-W	40	450	416	190	400	360	150	300	120	60	20	15	6308 C3	6200-6308	7500	110	10	16,2
BL 45	45	365	331	190	313	263	150	193	140	70	23	15	6309 C3	6200-6309	6700	140	10	14,0
BL 50	50	365	331	190	313	263	150	193	140	70	23	15	6310 C3	6200-6310	6300	190	10	13,0
BL 50 S-W	50	550	516	190	498	448	150	378	140	70	23	15	6310 C3	6200-6310	6300	190	10	21,6
BL 60	60	405	371	210	225	295	170	115	160	80	25	20	6312 C3	6200-6312	5000	300	15	21,2
BL 60 SS	60	740	706	210	685	595	170	555	160	80	25	20	6312 C3	6200-6312	5000	300	15	35,0
BL 70	70	450	416	270	400	330	210	240	190	95	28	24	6314 C3	6200-6314	4500	480	20	31,0
BL 75	75	450	416	270	400	330	210	240	190	95	28	24	6315 C5	6200-6315	4300	590	20	32,5
BL 80	80	490	450	290	420	350	230	270	217	112	30	24	6316 C3	6200-6316	3800	700	20	50,5
BL 90 P-L	90	590	566	355	540	450	280	274	240	120	35	24	6318 C3	6200-6318	3400	1000	25	85,0
BL 100	100	590	562	400	540	480	335	332	290	145	40	24	6320 C3	6200-6320	3000	1450	35	95,0



BL-W Series – Fan Bearing Housings

Available in Grey Cast Iron, SG Iron or Cast Steel.



These housings are especially suitable for ventilation fans running with a higher speed than common pillow blocks.

Since misalignment errors are largely excluded, ball bearings can be installed in these housings.

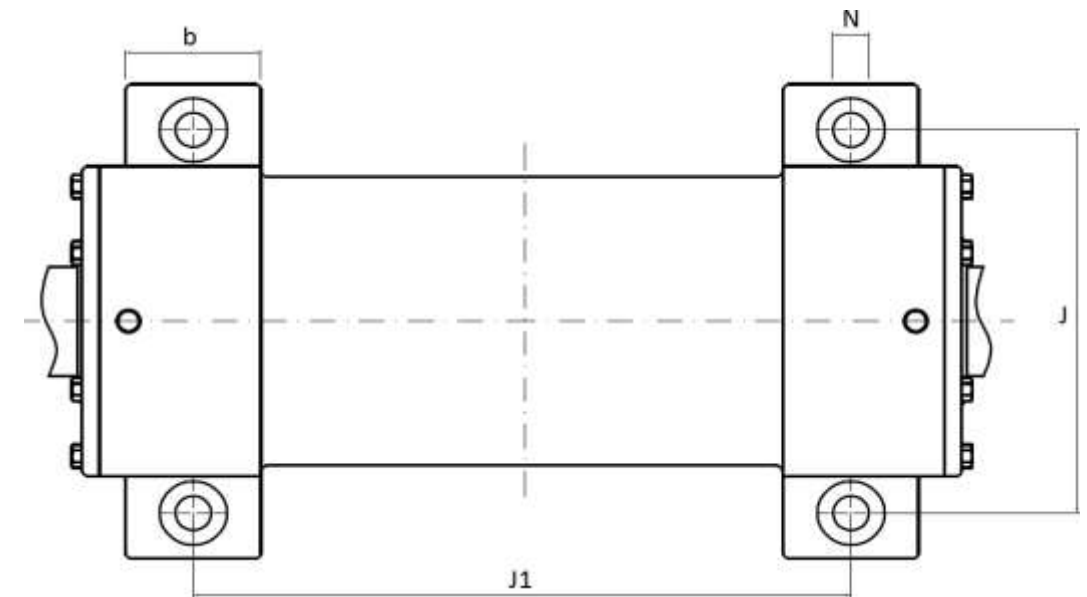
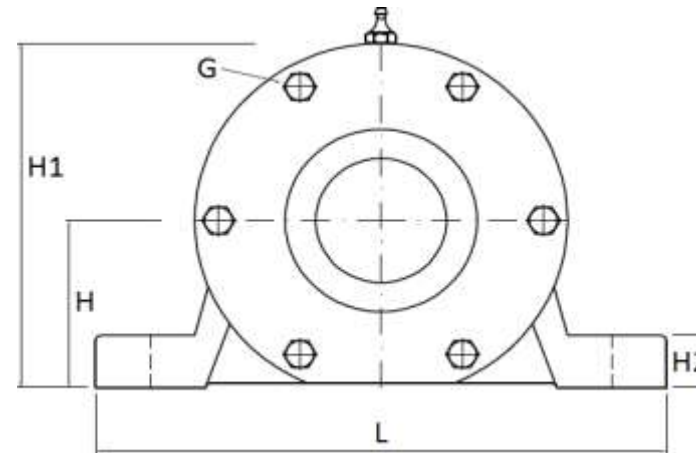
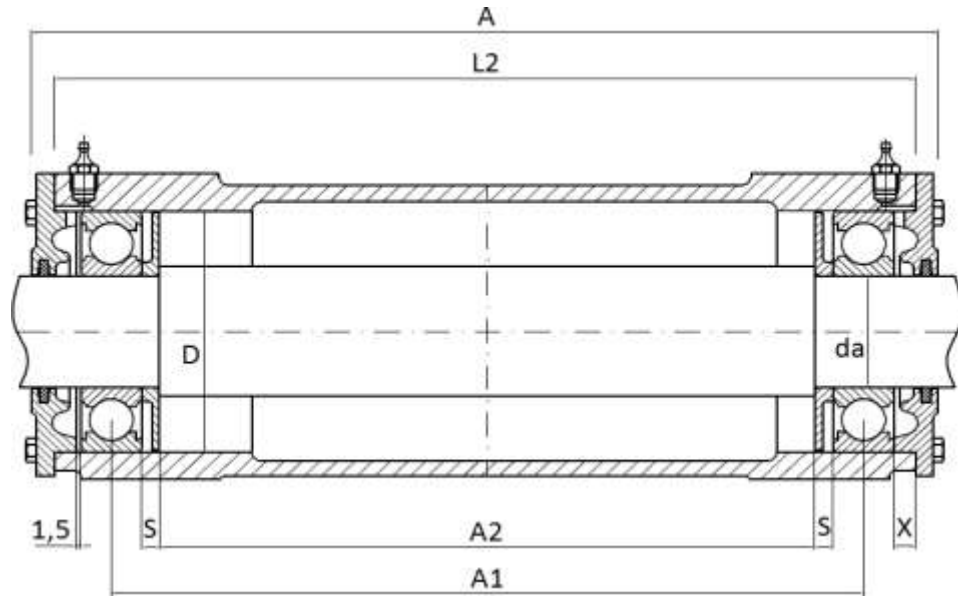
The grease quantity control discs on both sides simplify maintenance and throw excess grease into the middle of the large housing space.

Part No.	Dimensions (mm)																	Bearings	Spring Washer	Max. Speed (rpm)	First fill (g)	Regreasing (g)	Weight (kg)
	d	d1	L	L2	v	w	x	g	A	F	E	E1	B	H1	H	C	s						
BL-W 25	25	24	218	358	50	20	20	M8	155	171	135	120	89	95	50	16	11,5	6305 C3	6200-6305	11000	50	5	9,5
BL-W 30	30	28	300	470	50	50	20	M10	170	250	210	130	150	100	50	18	11,5	6306 C3	6200-6306	9500	60	5	12,0
BL-W 35	35	32	330	530	60	55	25	M12	190	260	240	150	160	120	60	20	15	6307 C3	6200-6307	8500	80	5	17,0
BL-W 40	40	38	330	530	60	55	25	M12	190	260	240	150	160	120	60	20	15	6308 C3	6200-6308	7500	110	10	18,0
BL-W 45	45	42	365	575	65	55	25	M16	190	313	263	150	193	140	70	23	15	6308 C3	6200-6309	6700	110	10	28,0
BL-W 50	50	48	365	585	70	55	25	M16	190	313	263	150	193	140	70	23	15	6310 C3	6200-6310	5300	140	15	37,0
BL-W 60	60	55	405	645	80	55	25	M20	210	255	295	170	115	160	80	25	20	6312 C3	6200-6312	5000	140	10	39,0
BL-W 70	70	65	450	755	110	60	25	M20	270	400	330	210	240	190	95	28	24	6314 C3	6200-6314	4300	190	10	63,0
BL-W 75	75	70	450	755	110	60	25	M20	270	400	330	210	240	190	95	28	24	6315 C3	6200-6315	4000	190	10	64,0
BL-W 80	80	75	490	805	110	70	25	M20	290	420	350	230	270	217	112	30	24	6316 C3	6200-6316	3800	240	15	84,0
BL-W 90	90	85	590	935	120	80	25	M20	335	540	450	280	274	240	120	35	24	6318 C3	6200-6318	3400	300	15	134,0
BL-W 100	100	90	590	985	120/170	80	25	M20	400	540	480	335	332	290	145	40	24	6320 C3	6200-6320	3000	300	15	198,0



PDN Series – Fan Bearing Housings

Available in Grey Cast Iron, SG Iron or Cast Steel.



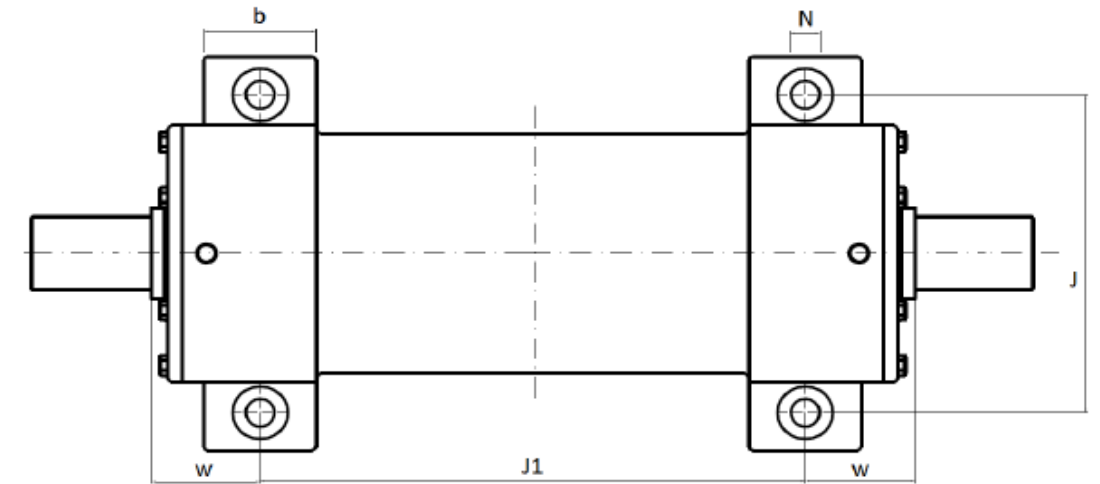
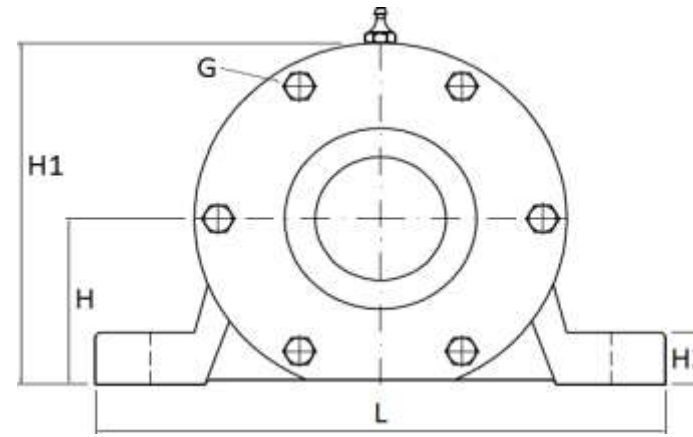
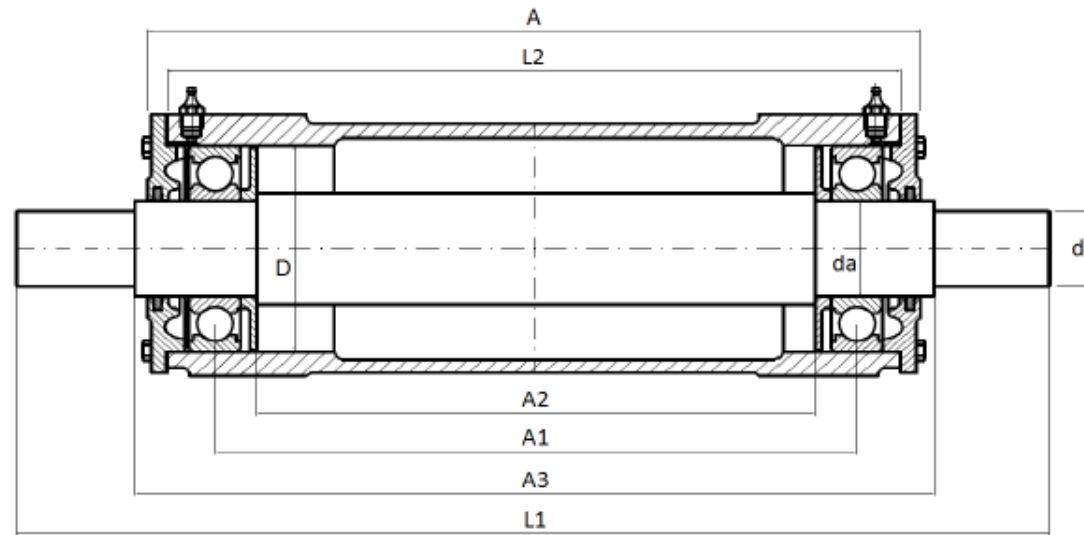
These housings are especially suitable for ventilation fans running with a higher speed than common pillow blocks. Since misalignment errors are largely excluded, ball bearings can be installed in these housings. The grease control discs on both sides simplify maintenance and throw excess grease into the middle of the large housing space. Other application possibilities include circular saws, milling machine shafts, belt drives or similar bearing applications. 6 possible bearing combinations allow it to be used for various requirements. Efficient sealing against dust and dirt.

Part No.	Dimensions (mm)																Bearings	Spring Washer	Screws G	Max. Speed (rpm)	Weight (kg)
	da	H	H1	L2	A	A1	A2	L	b	H2	J1	J	S	X	N	D					
PDN 306	30	50	100	210	226	171,5	140	160	40	18	150	130	6,1	9,5	15	72	6306 C3	6200-6306	4 x M6	9000	6,6
PDN 307	35	60	116	239	260	195,5	160	190	45	18	175	150	7,1	11	15	80	6307 C3	6200-6307	4 x M6	8500	9,2
PDN 308	40	60	121	298	315	255,5	214	190	52	20	225	150	9,1	9,4	15	90	6308 C3	6200-6308	4 x M6	7500	11,8
PDN 309	45	70	137	340	360	279,5	236	210	52	22	250	170	9,1	17,4	15	100	6309 C3	6200-6309	4 x M6	6700	15,0
PDN 310	50	70	142	360	377	311,5	266	210	60	25	275	170	9,1	10,4	15	110	6310 C3	6200-6310	6 x M6	6300	17,8
PDN 311	55	80	158	400	422	335,5	288	260	60	25	300	210	9,1	17,4	19	120	6311 C3	6200-6311	4 x M8	5600	27,5
PDN 312	60	80	165	437	460	383,5	334	260	70	25	340	210	9,1	10,9	19	130	6312 C3	6200-6312	6 x M8	5000	32,0
PDN 313	65	95	185	470	492	402,5	349	280	70	25	360	230	10,1	16,9	19	140	6313 C3	6200-6313	6 x M8	4800	34,0
PDN 314	70	95	190	490	512	420,5	365	290	70	25	380	230	10,1	16,9	19	150	6314 C3	6200-6314	6 x M8	4500	37,0
PDN 315	75	100	200	508	547	448,5	389	320	80	30	400	260	11,1	10,9	19	160	6315 C3	6200-6315	6 x M8	4300	48,0
PDN 316	80	112	220	525	556	466	403,5	320	80	30	420	260	11,1	9,4	19	170	6316 C3	6200-6316	6 x M10	3800	51,0
PDN 317	85	112	225	559	590	486	422,5	350	80	30	440	290	11,1	15,5	19	180	6317 C3	6200-6317	6 x M10	3600	65,0
PDN 318	90	112	230	575	605	510	446,5	350	85	30	460	290	10	10,5	19	190	6318 C3	6200-6318	6 x M10	3400	69,0
PDN 319	95	125	253	605	648	540	470,5	400	90	36	480	320	12	9,5	24	200	6319 C3	6200-6319	6 x M10	3200	83,0
PDN 320	100	130	264	635	673	570	500	400	95	40	500	320	8,5	11,5	24	215	6320 C3	6200-6320	6 x M10	3000	93,0



PDNB Series – Fan Bearing Housings

Available in Grey Cast Iron, SG Iron or Cast Steel.



These housings are especially suitable for ventilation fans running with a higher speed than common pillow blocks. Since misalignment errors are largely excluded, ball bearings can be installed in these housings. The grease control discs on both sides simplify maintenance and throw excess grease into the middle of the large housing space. Other application possibilities include circular saws, milling machine shafts, belt drives or similar bearing applications. 6 possible bearing combinations allow it to be used for various requirements. Efficient sealing against dust and dirt.

Part No.	Dimensions (mm)																		Bearings	Spring Washer	Screws G	Max. speed (rpm)	First fill (g)	Regreasing (g)	Weight (kg)
	d	da	H	H1	L2	L1	A	A1	A2	A3	L	V	H2	J1	J	w	N	D							
PDNB 306	24	30	50	100	210	340	226	171,5	140	240	160	40	18	150	130	45	15	75	6306 C3	6200-6306	4 x M6	9000	60	5	9,5
PDNB 307	28	35	60	116	239	394	260	195,5	160	274	190	45	18	175	150	49,5	15	80	6307 C3	6200-6307	4 x M6	8500	80	5	13,7
PDNB 308	32	40	60	121	298	491	315	255,5	214	331	190	52	20	225	150	53	15	90	6308 C3	6200-6308	4 x M6	7500	110	10	19,0
PDNB 309	38	45	70	137	340	536	360	279,5	236	376	210	52	22	250	170	63	15	100	6309 C3	6200-6309	4 x M6	6700	140	10	23,5
PDNB 310	42	50	70	142	360	613	377	311,5	266	393	210	60	25	275	170	59	15	110	6310 C3	6200-6310	6 x M6	6300	190	10	30,0
PDNB 311	48	55	80	158	400	658	422	335,5	288	438	260	60	25	300	210	69	19	120	6311 C3	6200-6311	4 x M8	5600	240	15	39,0
PDNB 312	48	60	80	165	437	696	460	383,5	334	476	260	70	25	340	210	68	19	130	6312 C3	6200-6312	6 x M8	5000	300	15	52,0
PDNB 313	55	65	95	185	470	728	492	402,5	349	508	280	70	25	360	230	74	19	140	6313 C3	6200-6313	6 x M8	4800	390	15	56,5
PDNB 314	60	70	95	190	490	812	512	420,5	365	532	290	70	25	380	230	76	19	150	6314 C3	6200-6314	6 x M8	4500	480	20	67,0
PDNB 315	65	75	100	200	508	847	547	448,5	389	567	320	80	30	400	260	83,5	19	160	6315 C3	6200-6315	6 x M8	4300	590	20	80,0
PDNB 316	70	80	112	220	525	856	556	466,5	403,5	576	320	80	30	420	260	78	19	170	6316 C3	6200-6316	6 x M10	3800	700	20	90,0
PDNB 317	75	85	112	225	559	890	590	486	422,5	610	350	80	30	440	290	85	19	180	6317 C3	6200-6317	6 x M10	3600	830	25	112,0
PDNB 318	80	90	112	230	575	965	605	510	446,5	625	350	85	30	460	290	82,5	19	190	6318 C3	6200-6318	6 x M10	3400	1000	25	130,0
PDNB 319	85	95	125	253	605	1008	648	540	470,5	668	400	90	36	480	320	94	24	200	6319 C3	6200-6319	6 x M10	3200	1150	30	150,0

