



Introducing Bri-Mac's 444000 Series...

The 444000 series bearing housings are made in CAST STEEL and are very robust.

They have solid feet & base – making them very strong.

Suited perfectly for STEEL MILLS and high impact applications.

These bearing housings arrive with Rotary Shaft Seals.

Replacement of the seals is fast & trouble free as the Seal Retainer Plates are SPLIT and easy to manage.

Grease lubrication ports are machined as standard and can be drilled to suit your exact requirements.

We can accommodate any special requirement.

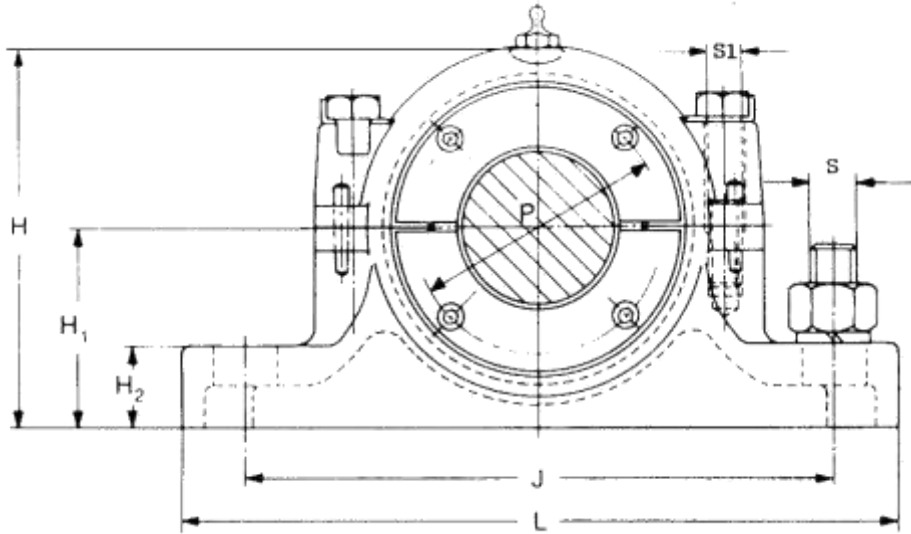
Click [here](#) to view Bri-Mac's 444000 Series on YouTube.



“Bearing Housing Solutions – Worldwide”



444000 Series



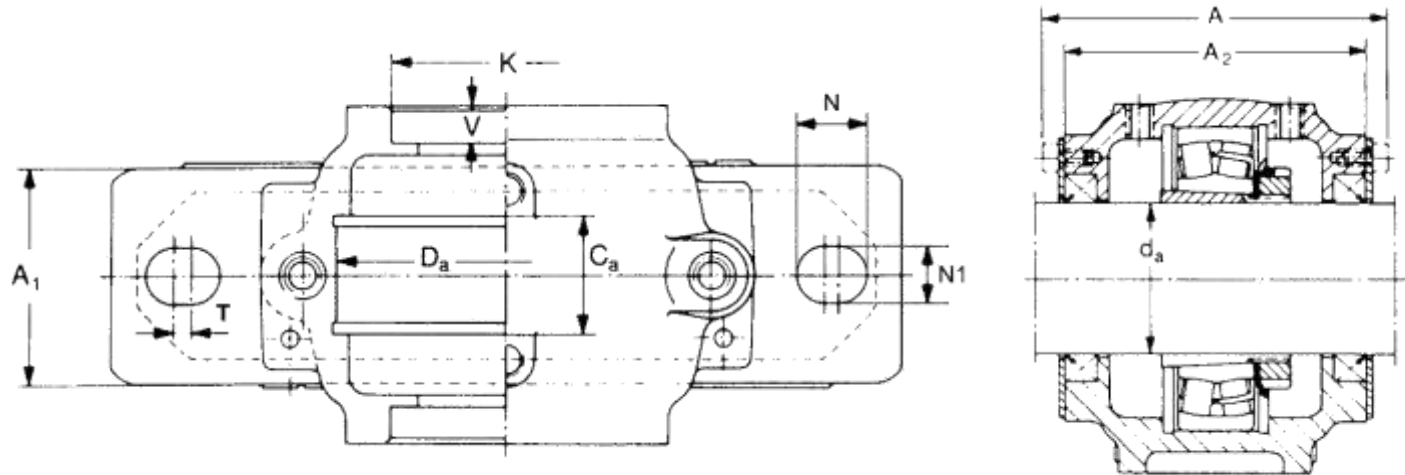
Reference	Shaft	Bearing	Sleeve	Locating ring	Sealing ring			Grease gr.	Weight Kg.
					V	K	P		
444000	30	22207 CCK	H 307	FRA 72-10	8	48	58	40	2.9
444001	35	22208 CCK	H 308	FRA 80-10	10	52	62	70	3.9
444002	40	22209 CCK	H 309	FRA 85-8	10	58	68	80	4.1
444003	45	22210 CCK	H 310	FRA 90-10	12	62	72	100	4.3
444004	50	22211 CCK	H 311	FRA 100-8	12	72	84	130	6.1
444005	55	22212 CCK	H 312	FRA 110-10	12	75	87	160	6.6
444006	60	22213 CCK	H 313	FRA 120-12	12	80	92	200	8.2
444007	65	22215 CCK	H 315	FRA 130-10	12	85	97	300	9.4
444008	70	22216 CCK	H 316	FRA 140-10	12	90	102	350	12.6

“Bearing Housing Solutions – Worldwide”





444000 Series



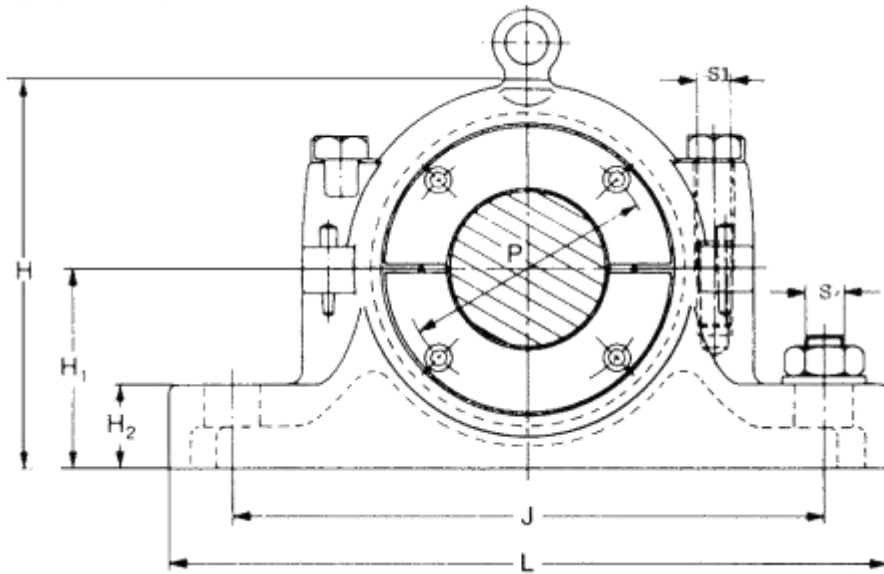
Reference	Shaft	Dimensions															
		A	A ₁	A ₂	Da	H	H ₁	H ₂	J	L	T	in	S ₁	Ca	S	N	N _i
444000	30	101	52	88	72	95	50	22	150	185	5 1/2	10	33	12	20	13	
444001	35	104	60	91	80	110	60	25	170	205	5 1/2	10	33	12	20	15	
444002	40	104	60	91	85	110	60	25	170	205	5 1/2	10	31	12	20	15	
444003	45	109	60	96	90	115	60	25	170	205	5 1/2	10	33	12	20	15	
444004	50	115	70	99	100	130	70	28	210	255	5 5/8	12	33	16	23	18	
444005	55	125	70	109	110	135	70	30	210	255	5 5/8	12	38	16	23	18	
444006	60	130	80	114	120	150	80	30	230	275	5 5/8	12	43	16	23	18	
444007	65	135	80	119	130	155	80	30	230	280	6 5/8	12	41	16	26	18	
444008	70	140	90	124	140	175	95	32	260	315	6 3/4	16	43	20	29	22	

“Bearing Housing Solutions – Worldwide”





444000 Series



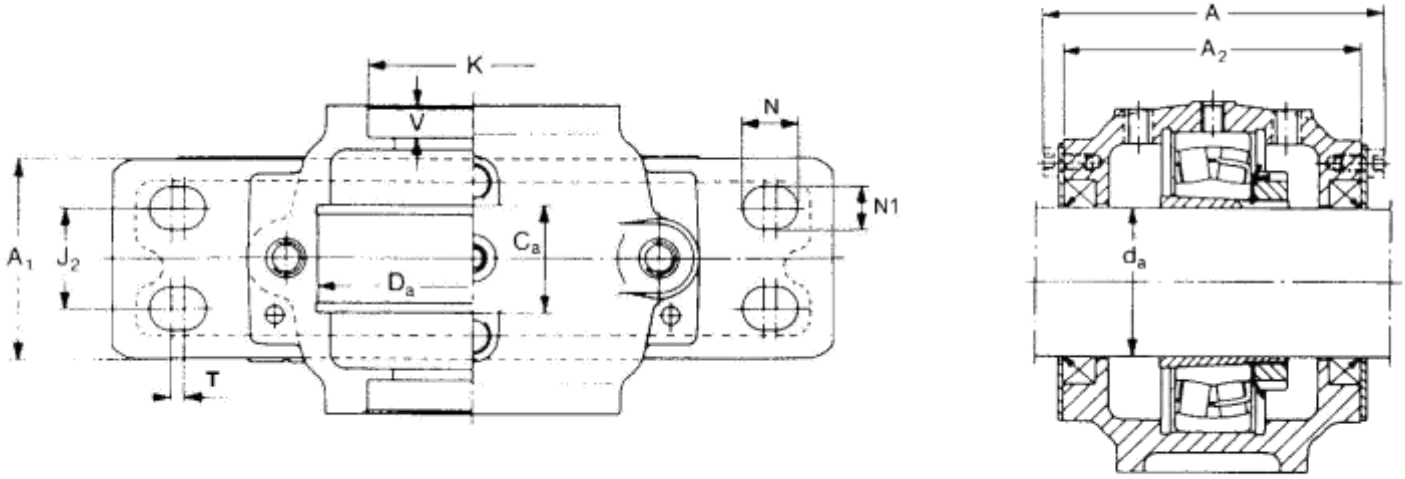
Reference	Shaft	Bearing	Sleeve	Locating ring	Sealing ring			Grease gr.	Weight Kg.	
					V	K	P			
444009	80	22218 CCK/W33	H 318	FRA 160-11.2	2	13	100	112	500	17
		23218 CCK	H 2318	FRA 160-10	1				500	
444010	90	22220 CCK/W33	H 320	FRA 180-12	2	13	110	122	750	23
		23220 CCK/W33	H 2320	FRA 180-10	1				700	
444011	100	22222 CCK/W33	H 322	FRA 200-13.5	2	13	120	132	1000	28
		23222 CCK/W33	H 2322	FRA 200-10.2	1				900	
444012	110	22224 CCK/W33	H 3124	FRA 215-14	2	13	130	142	1200	32
		23224 CCK/W33	H 2324	FRA 215-10	1				1100	
444013	125	22228 CCK/W33	H 3128	FRA 250-15	2	15	160	180	1550	53
		23228 CCK/W33	H 2328	FRA 250-10	1				1400	
444014	140	22232 CCK/W33	H 3132	FRA 290-17	2	15	170	190	2150	72
		23232 CCK/W33	H 2332	FRA 290-10	1				2000	

“Bearing Housing Solutions – Worldwide”





444000 Series



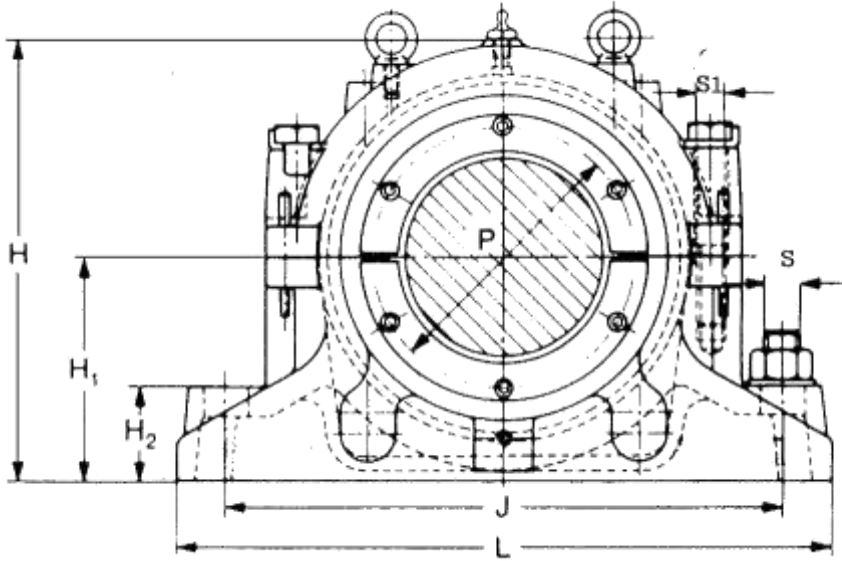
Reference	Shaft	Dimensions																	
		A	A1	A2	Da	H	H1	H2	J	J2	L	T	in	S1	Ca	S	N	N1	
444009	80	165	100	149	160	195	100	35	280	50	345	7	5/8	16	62.4	16	26	18	
444010	90	176	110	160	180	215	112	40	300	60	380	7	5/8	20	70.3	16	26	18	
444011	100	191	120	175	200	240	125	45	320	70	410	7	5/8	20	80	16	26	18	
444012	110	201	120	185	215	270	140	45	330	70	410	7	5/8	20	86	16	26	18	
444013	125	227	150	205	250	305	150	50	400	80	500	7	1	24	98	24	32	26	
444014	140	257	160	235	290	345	170	60	450	90	550	7	1	24	114	24	32	26	

“Bearing Housing Solutions – Worldwide”





444000 Series

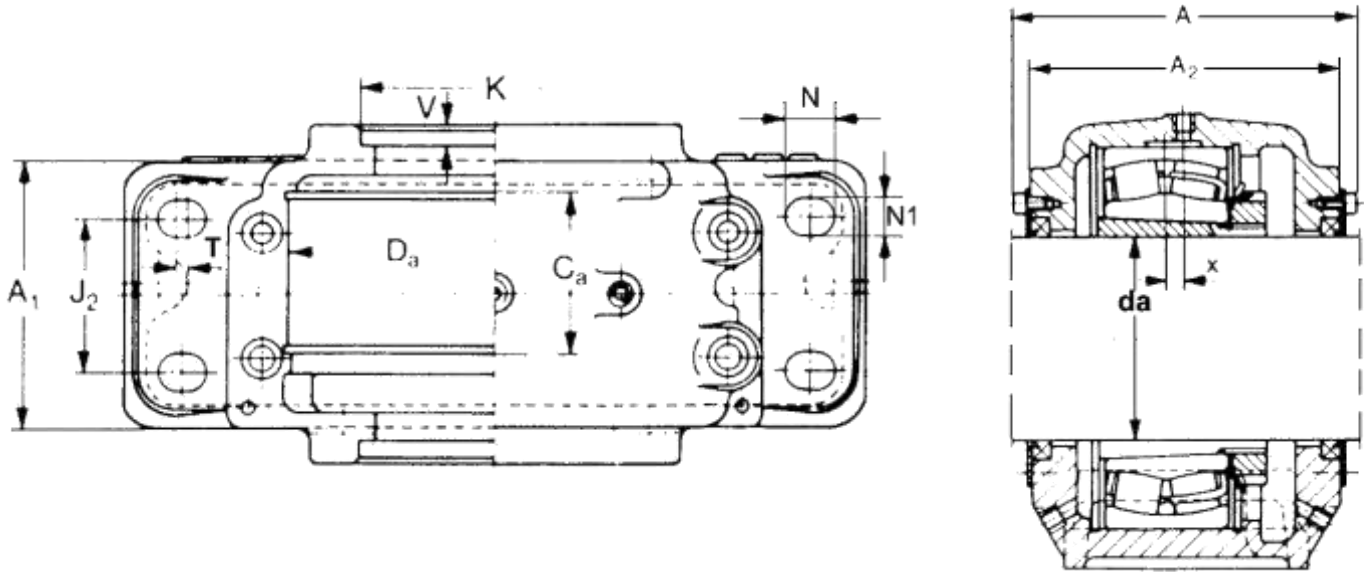


Reference	Shaft	Bearing	Sleeve	Locating ring	Sealing ring			Grease gr.	Weight Kg.	
					V	K	P			
444015	160	23136 CCK	H 3136	FRA 300-10	2	15	190	210	2200	82
444016	180	23140 CCK	H 3140	FRA 340-10	2	15	210	230	3800	131
444017	200	23144 CCK	H 3144 HG	FRA 370-10	2	15	230	250	4400	150
444018	220	23148 CCK	H 3148 HG	FRA 400-10	2	15	250	280	5500	200
444019	240	23152 CCK	H 3152 HG	FRA 440-10	2	15	270	300	7000	235
444020	260	23156 CCK	H 3156 HG	FRA 460-10	2	20	300	330	7400	275

“Bearing Housing Solutions – Worldwide”



444000 Series



Reference	Shaft	Dimensions																	
		A	A1	A2	Da	H	H1	H2	J	J2	L	T	in	S1	Ca	X	S	N	N1
444015	160	266	190	240	300	355	180	75	450	110	530	7	1	24	116	15	24	32	26
444016	180	306	230	280	340	410	210	85	510	130	610	7	1/4	24	132	10	30	42	35
444017	200	316	240	290	370	435	220	90	540	140	640	7	1/4	24	140	12	30	42	35
444018	220	336	260	310	400	475	240	95	600	150	700	7	1/4	30	148	12	30	42	35
444019	240	346	280	320	440	515	260	100	650	160	770	8	1/2	30	164	13	39	42	35
444020	260	346	280	320	460	550	280	105	670	160	790	8	1/2	30	166	16	39	42	35

“Bearing Housing Solutions – Worldwide”

