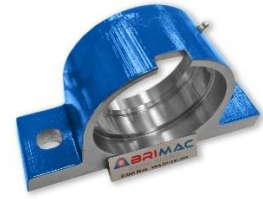


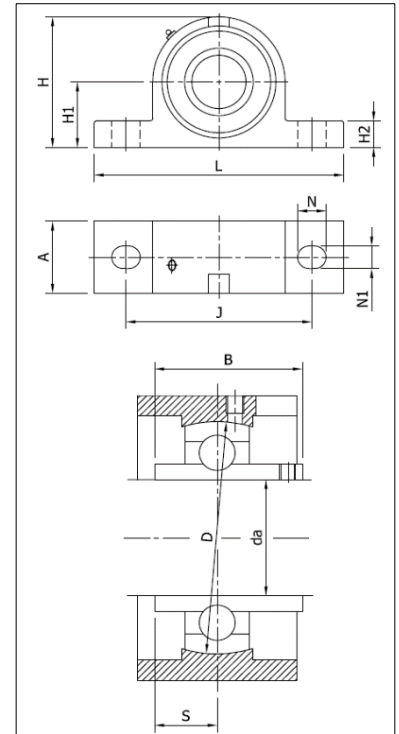


UCP Series

Manufactured in Steel



| | da | D | S | B | A | H | H1 | H2 | L | J | N | N1 |
|---------|----|-----|------|------|----|-----|-------|----|-----|-----|----|----|
| UCP 201 | 12 | 47 | 12.7 | 31 | 38 | 62 | 30.2 | 14 | 127 | 95 | 16 | 13 |
| UCP 202 | 15 | | | | | | | | | | | |
| UCP 203 | 17 | | | | | | | | | | | |
| UCP 204 | 20 | 47 | 12.7 | 31 | 38 | 65 | 33.3 | 14 | 127 | 95 | 16 | 13 |
| UCP 205 | 25 | 52 | 14.3 | 34.1 | 38 | 71 | 36.5 | 15 | 140 | 105 | 16 | 13 |
| UCP 206 | 30 | 62 | 15.9 | 38.1 | 48 | 83 | 42.9 | 17 | 165 | 121 | 20 | 17 |
| UCP 207 | 35 | 72 | 17.5 | 42.9 | 48 | 93 | 47.6 | 18 | 167 | 127 | 20 | 17 |
| UCP 208 | 40 | 80 | 19 | 49.2 | 54 | 98 | 49.2 | 18 | 184 | 137 | 20 | 17 |
| UCP 209 | 45 | 85 | 19 | 49.2 | 54 | 106 | 54 | 20 | 190 | 146 | 20 | 17 |
| UCP 210 | 50 | 90 | 19 | 51.6 | 60 | 114 | 57.2 | 21 | 206 | 159 | 23 | 20 |
| UCP 211 | 55 | 100 | 22.2 | 55.6 | 60 | 126 | 63.5 | 23 | 219 | 171 | 23 | 20 |
| UCP 212 | 60 | 110 | 25.4 | 65.1 | 70 | 138 | 69.8 | 25 | 241 | 184 | 23 | 20 |
| UCP 213 | 65 | 120 | 25.4 | 65.1 | 70 | 151 | 76.2 | 27 | 265 | 203 | 28 | 25 |
| UCP 214 | 70 | 125 | 30.2 | 74.6 | 72 | 157 | 79.4 | 27 | 266 | 210 | 28 | 25 |
| UCP 215 | 75 | 130 | 33.3 | 77.8 | 74 | 163 | 82.6 | 28 | 275 | 217 | 28 | 25 |
| UCP 216 | 80 | 140 | 33.3 | 82.6 | 78 | 175 | 88.9 | 30 | 292 | 232 | 28 | 25 |
| UCP 217 | 85 | 150 | 34.1 | 85.7 | 83 | 187 | 95.2 | 32 | 310 | 247 | 28 | 25 |
| UCP 218 | 90 | 160 | 39.7 | 96 | 88 | 200 | 101.6 | 33 | 327 | 262 | 30 | 27 |

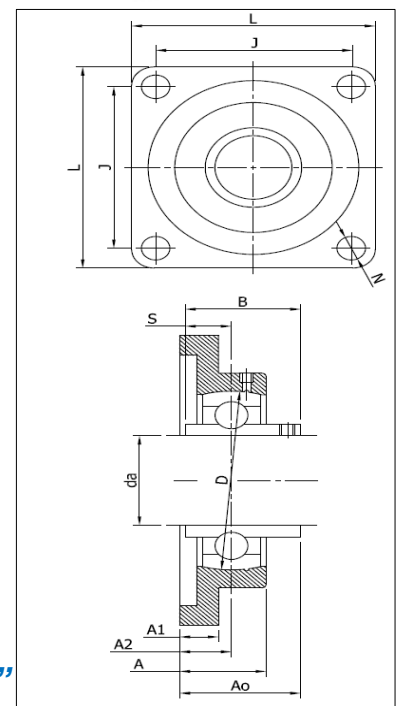


UCF Series

Manufactured in Steel



| | da | D | S | B | Ao | A | A1 | A2 | L | J | N |
|---------|----|-----|------|------|------|------|----|----|-----|-----|----|
| UCF 201 | 12 | 47 | 12.7 | 31 | 33.3 | 25.5 | 11 | 15 | 86 | 64 | 12 |
| UCF 202 | 15 | | | | | | | | | | |
| UCF 203 | 17 | | | | | | | | | | |
| UCF 204 | 20 | 47 | | | | | | | | | |
| UCF 205 | 25 | 52 | 14.3 | 34.1 | 35.8 | 27 | 13 | 16 | 95 | 70 | 12 |
| UCF 206 | 30 | 62 | 15.9 | 38.1 | 40.2 | 31 | 13 | 18 | 108 | 83 | 12 |
| UCF 207 | 35 | 72 | 17.5 | 42.9 | 44.4 | 34 | 15 | 19 | 117 | 92 | 14 |
| UCF 208 | 40 | 80 | 19 | 49.2 | 51.2 | 36 | 15 | 21 | 130 | 102 | 16 |
| UCF 209 | 45 | 85 | 19 | 49.2 | 52.2 | 38 | 16 | 22 | 137 | 105 | 16 |
| UCF 210 | 50 | 90 | 19 | 51.6 | 54.6 | 40 | 16 | 22 | 143 | 111 | 16 |
| UCF 211 | 55 | 100 | 22.2 | 55.6 | 58.4 | 43 | 18 | 25 | 162 | 130 | 19 |
| UCF 212 | 60 | 110 | 25.4 | 65.1 | 68.7 | 48 | 18 | 29 | 175 | 143 | 19 |
| UCF 213 | 65 | 120 | 25.4 | 65.1 | 69.7 | 50 | 22 | 30 | 187 | 149 | 19 |
| UCF 214 | 70 | 125 | 30.2 | 74.6 | 75.4 | 54 | 22 | 31 | 193 | 152 | 19 |
| UCF 215 | 75 | 130 | 33.3 | 77.8 | 78.5 | 56 | 22 | 34 | 200 | 159 | 19 |
| UCF 216 | 80 | 140 | 33.3 | 82.6 | 83.3 | 58 | 22 | 34 | 208 | 165 | 23 |
| UCF 217 | 85 | 150 | 34.1 | 85.7 | 87.6 | 63 | 24 | 36 | 220 | 175 | 23 |
| UCF 218 | 90 | 160 | 39.7 | 96 | 96.3 | 68 | 24 | 40 | 235 | 187 | 23 |



"Bearing Housing Solutions – Worldwide"