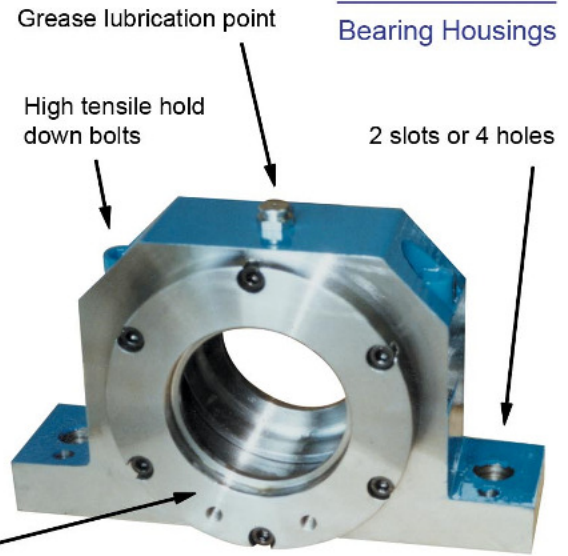
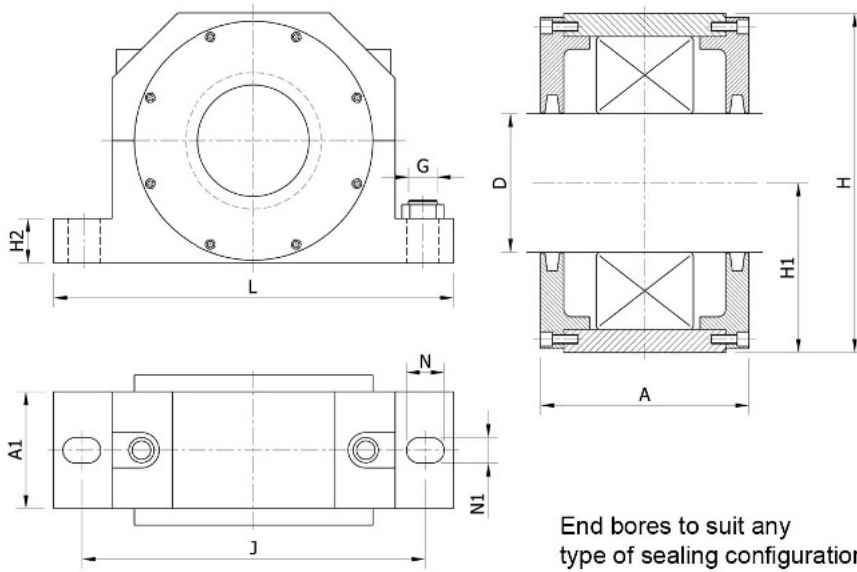


# Flame-cut Series

Steel bearing housings designed and manufactured to suit any shape or size.



End bores to suit any type of sealing configuration

## BEARING HOUSING DATA

Shaft dia (D)	Type	A	A1	C	H	H1	H2	J	L	N	N1	G	Appropriate Bearing	Adaptor Sleeve	Locating Rings	
															No.	Designation
45	FC-510	90	60	41	115	60	25	170	205	20	15	12	1210 K	H 210	2	FRB 10,5/90
													2210 K	H 310	2	FRB 9/90
													22210 K	H 310	2	FRB 9/90
50	FC-511	95	70	44	130	70	28	210	255	23	18	16	1211 K	H 211	2	FRB 11,5/100
													2211 K	H 311	2	FRB 9,5/100
													22211 K	H 311	2	FRB 9,5/100
55	FC-512	105	70	48	135	70	30	210	255	23	18	16	1212 K	H 212	2	FRB 13/110
													2212 K	H 312	2	FRB 10/110
													22212 K	H 312	2	FRB 10/110
60	FC-513	110	80	51	150	80	30	230	275	23	18	16	1213 K	H 213	2	FRB 14/120
													2213 K	H 313	2	FRB 10/120
													22213 K	H 313	2	FRB 10/120
65	FC-515	115	80	56	155	80	30	230	280	23	18	16	1215 K	H 215	2	FRB 15,5/130
													2215 K	H 315	2	FRB 12,5/130
													22215 K	H 315	2	FRB 12,5/130
70	FC-516	120	90	58	175	95	32	260	315	27	22	20	1216 K	H 216	2	FRB 16/140
													2216 K	H 316	2	FRB 12,5/140
													22216 K	H 316	2	FRB 12,5/140
75	FC-517	125	90	61	185	95	32	260	320	27	22	20	1217 K	H 217	2	FRB 16,5/150
													2217 K	H 317	2	FRB 12,5/150
													22217 K	H 317	2	FRB 12,5/150
80	FC-518	140	100	65	195	100	35	290	345	27	22	20	1218 K	H 218	2	FRB 17,5/160
													2218 K	H 318	2	FRB 12,5/160
													22218 K	H 318	2	FRB 12,5/160
85	FC-519	145	100	68	210	112	35	290	345	27	22	20	23218 K	H 2318	2	FRB 6,25/160
													1219 K	H 219	2	FRB 18/170
													2219 K	H 319	2	FRB 12,5/170
90	FC-520	160	110	70	215	112	40	320	380	32	26	24	22219 K	H 319	2	FRB 12,5/170
													1220 K	H 220	2	FRB 18/180
													2220 K	H 320	2	FRB 12/180
100	FC-522	175	120	80	240	125	45	350	410	32	26	24	22220 K	H 320	2	FRB 12/180
													23220 K	H 2320	2	FRB 4,85/180
													1222 K	H 222	2	FRB 21/200
110	FC-524	185	120	86	270	140	45	350	410	32	26	24	2222 K	H 322	2	FRB 13,5/200
													22222 K	H 322	2	FRB 13,5/200
													23222 K	H 2322	2	FRB 5,1/200
115	FC-526	190	130	90	290	150	50	380	445	35	28	24	1224 K	H 224	2	FRB 22/215
													22224 K	H 324	2	FRB 14/215
													23224 K	H 2324	2	FRB 10/215
125	FC-528	205	150	98	305	150	50	420	500	42	35	30	22226 K	H 3126	2	FRB 13/230
													23226 K	H 2326	2	FRB 5/230
													22228 K	H 3128	2	FRB 15/250
135	FC-530	220	160	106	325	160	60	450	530	42	35	30	23228 K	H 2328	2	FRB 5/250
													22230 K	H 3130	2	FRB 16,5/270
													23230 K	H 2330	2	FRB 5/270
140	FC-532	235	160	114	345	170	60	470	550	42	35	30	22232 K	H 3132	2	FRB 17/290
													23232 K	H 2332	2	FRB 5/290

Bri-Mac Engineering Ltd. Unit 17, Thornleigh Trading Estate, Dudley, West Midlands, DY2 8UB, UK.

Tel: +44 (0) 1384 455042 Fax: +44 (0) 1384 455052 Email: Sales@bri-mac.co.uk www.bri-mac.co.uk www.bri-mac.com