



*Visual Range : Up to 30 miles
Power supply : 120/230 Vac 50/60 Hz
Light Intensity : 400'000 cd
Light Beam : 5° wide, 30° high
Lamps : PAR 64 1000W or 500W*

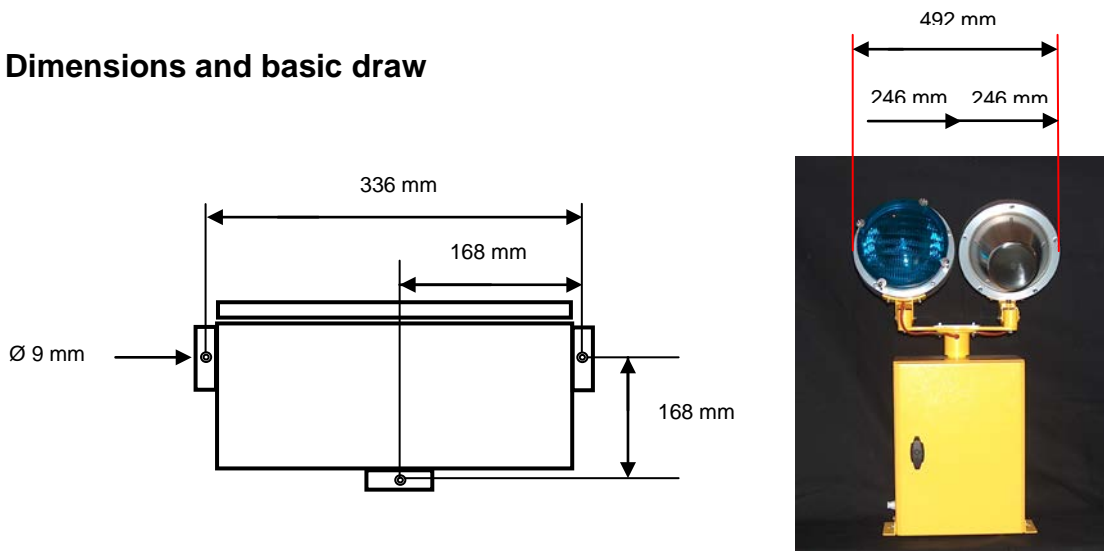
2 Heads Aeronautical Rotating Beacon

- The aeronautical beacons AL-2000 shall comply with the requirements of ICAO Annex 14 Volum I Paragraph 5.3.3, and to FAA L-801 AC150/5345-12C and French STNA standards.
- Depending on its version, it shall be supplied in 230 Vac or 120 Vac (50/60 Hz).
- It shall be equipped with 2 PAR 64 lamps (1000 W or 500 W). The life duration of the lamp shall be greater than 4000 hours.
- It shall be with coloured filters (Green or Yellow)
- All external metallic parts shall be painted (RAL 1021).
- Its installation is simple due to three fixing flanges.

Main advantages

- Security: The 2 lamps beacon stop immediately when at least one lamp is blown
- Consumption: Electrical Box = 150 W + 2 lamps (of 500 W or 1000 W)
- Colours: Obtained using coloured Filters (Green—Ground aerodromes, Yellow for water aerodromes, Green and Yellow for FAA (L-801H) heliport.
- Flashes frequency: 26 flashes per minute
- Light head elevation angle: Possible adjustment possible from -5° to $+35^{\circ}$
- Finish: All external parts are painted RAL 1021, except lights protections that are in stainless steel
- Fixing: By three holes located on the three fixation flanges
- Option: Heating (Thermostat)
- Option: Filters
- Painted Stainless steel body

Dimensions and basic draw



Ordering code

Type	Power	Voltage	Colours		
AL-2000	10	23	W	G	—

Type :	AL-2000	=	2 heads
Power :	05	=	500 Watts
	10	=	1000 Watts
Voltage :	23	=	230 Vac
	12	=	120 Vac
Colour :	W	=	White (no filter)
	G	=	Green
	Y	=	Yellow

Packaging informations

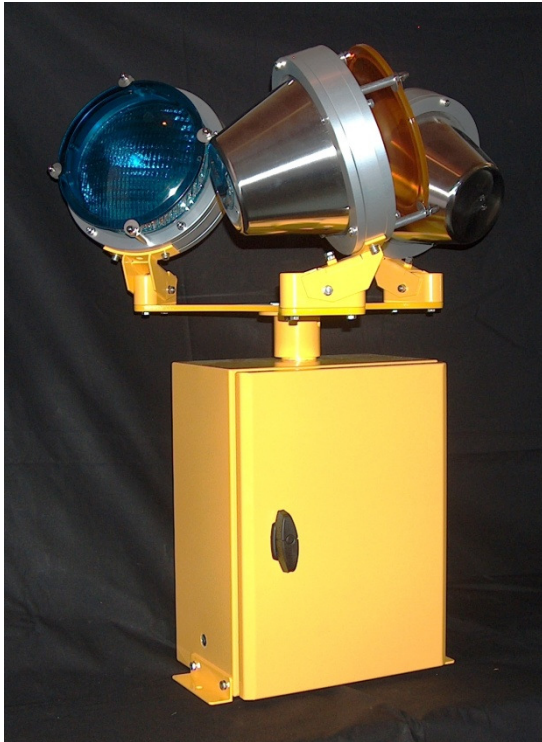
Designation	Volume m ³	Dimensions mm	Weight kg
AL 2000	0.3	1000x600x500	24

Associated products

- AL 3000 rotating beacon 3 heads
- AL 4000 rotating beacon 4 heads

The descriptions, measurements and features photometric contained in this publication are given for information only and would not know to constitute an engagement for

our society that reserves the right to bring some modifications there without notice.



*Visual Range : Up to 30 miles
Power supply : 120/230 Vac 50/60 Hz
Light Intensity : 400'000 cd
Light Beam : 5° wide, 30° high
Lamps : PAR 64 1000W or 500W*

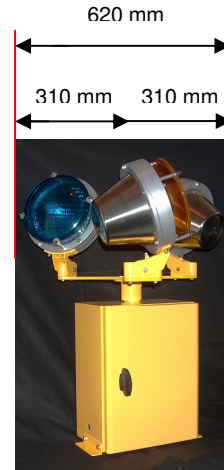
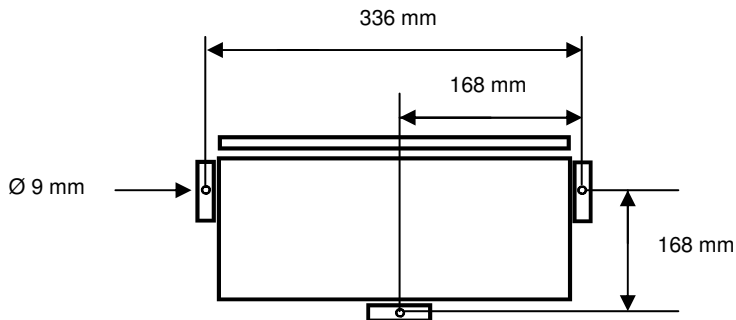
3 Heads Aeronautical Rotating Beacon

- The aeronautical beacons AL-3000 shall comply with the requirements of ICAO Annex 14 Volum I Paragraph 5.3.3, and to FAA L-801 AC150/5345-12C and French STNA standards.
- Depending on its version, it shall be supplied in 230 Vac or 120 Vac (50/60 Hz).
- It shall be equipped with 3 PAR 64 lamps (1000 W or 500 W). The life duration of the lamp shall be greater than 4000 hours.
- It shall be with coloured filters (Green or Yellow)
- All external metallic parts shall be painted (RAL 1021).
- Its installation is simple due to three fixing flanges.

Main advantages

- Security: The 3 lamps beacon stop immediately when at least one lamp is blown
- Consumption: Electrical Box = 150 W + 3 lamps (of 500 W or 1000 W)
- Colours: Obtained using coloured Filters (Green—Ground aerodromes, Yellow for water aerodromes, Green and Yellow for FAA (L-801H) heliport.
- Flashes frequency: 26 flashes per minute
- Light head elevation angle: Possible adjustment possible from -5° to $+35^{\circ}$
- Finish: All external parts are painted RAL 1021, except lights protections that are in stainless steel
- Fixing: By three holes located on the three fixation flanges
- Option: Heating (Thermostat)
- Option: Filters
- Painted Stainless steel body

Dimensions and basic draw



Ordering code

Type	Power	Voltage	Colours		
AL-3000	10	23	W	G	Y

Type :	AL-3000	=	3 heads
Power :	05	=	500 Watts
	10	=	1000 Watts
Voltage :	23	=	230 Vac
	12	=	120 Vac
Colour :	W	=	White (no filter)
	G	=	Green
	Y	=	Yellow

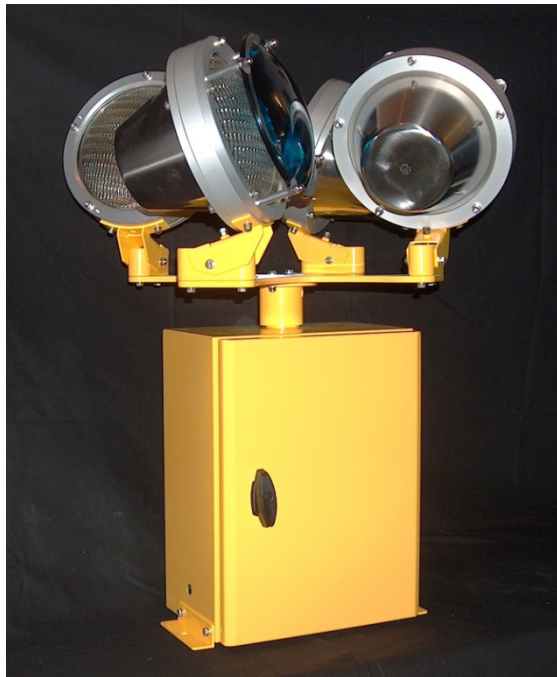
Packaging informations

Designation	Volume m ³	Dimensions mm	Weight kg
AL 3000	0.3	1000x800x600	29

Associated products

- AL 2000 rotating beacon 2 heads
- AL 4000 rotating beacon 4 heads

The descriptions, measurements and features photometric contained in this publication are given for information only and would not know to constitute an engagement for our society that reserves the right to bring some modifications there without notice.



*Visual Range : Up to 30 miles
Power supply : 120/230 Vac 50/60 Hz
Light Intensity : 400'000 cd
Light Beam : 5° wide, 30° high
Lamps : PAR 64 1000W or 500W*

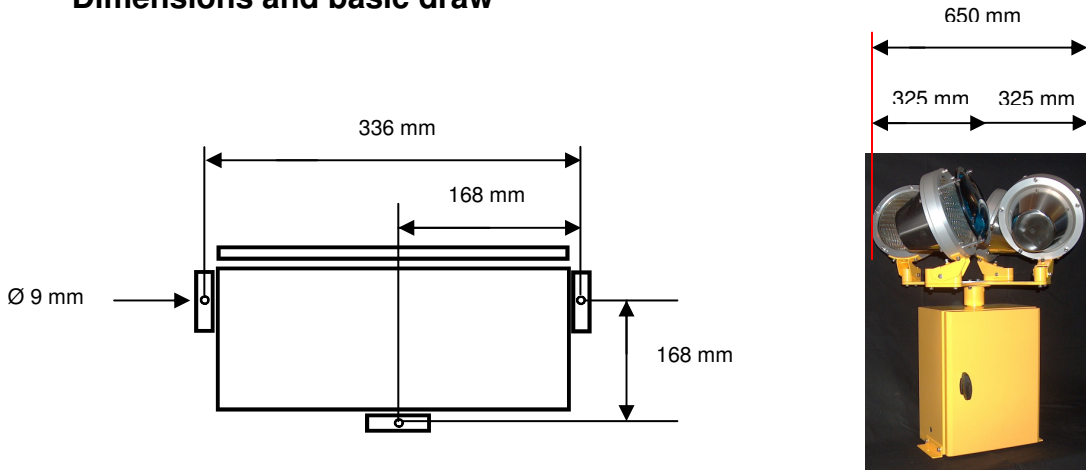
4 Heads Aeronautical Rotating Beacon

- The aeronautical beacons AL-4000 shall comply with the requirements of ICAO Annex 14 Volum I Paragraph 5.3.3, and to FAA L-801 AC150/5345-12C and French STNA standards.
- Depending on its version, it shall be supplied in 230 Vac or 120 Vac (50/60 Hz).
- It shall be equipped with 4 PAR 64 lamps (1000 W or 500 W). The life duration of the lamp shall be greater than 4000 hours.
- It shall be with coloured filters (Green or Yellow)
- All external metallic parts shall be painted (RAL 1021).
- Its installation is simple due to three fixing flanges.

Main advantages

- Security: The 4 lamps beacon AL-4000 switch automatically to the backup 2 lamps if at least one of the main lamps is blown and stop immediately when at least 1 of the backup lamps is blown.
- Consumption: Electrical Box = 150 W + 4 lamps (of 500 W or 1000 W)
- Colours: Obtained using coloured Filters (Green—Ground aerodromes, Yellow for water aerodromes, Green and Yellow for FAA (L-801H) heliport.
- Flashes frequency: 26 flashes per minute
- Light head elevation angle: Possible adjustment possible from -5° to $+35^{\circ}$
- Finish: All external parts are painted RAL 1021, except lights protections that are in stainless steel
- Fixing: By three holes located on the three fixation flanges
- Option: Heating (Thermostat)
- Option: Filters
- Painted Stainless steel body

Dimensions and basic draw



Ordering code

Type	Power	Voltage	Colours		
AL-4000	10	23	W	G	Y

Type :	AL-4000	=	4 heads
Power :	05	=	500 Watts
	10	=	1000 Watts
Voltage :	23	=	230 Vac
	12	=	120 Vac
Colour :	W	=	White (no filter)
	G	=	Green
	Y	=	Yellow

Packaging informations

Designation	Volume m ³	Dimensions mm	Weight kg
AL 4000	0.3	1000x800x600	47

Associated products

- AL 2000 rotating beacon 2 heads
- AL 3000 rotating beacon 3 heads

The descriptions, measurements and features photometric contained in this publication are given for information only and would not know to constitute an engagement for our society that reserves the right to bring some modifications there without notice.