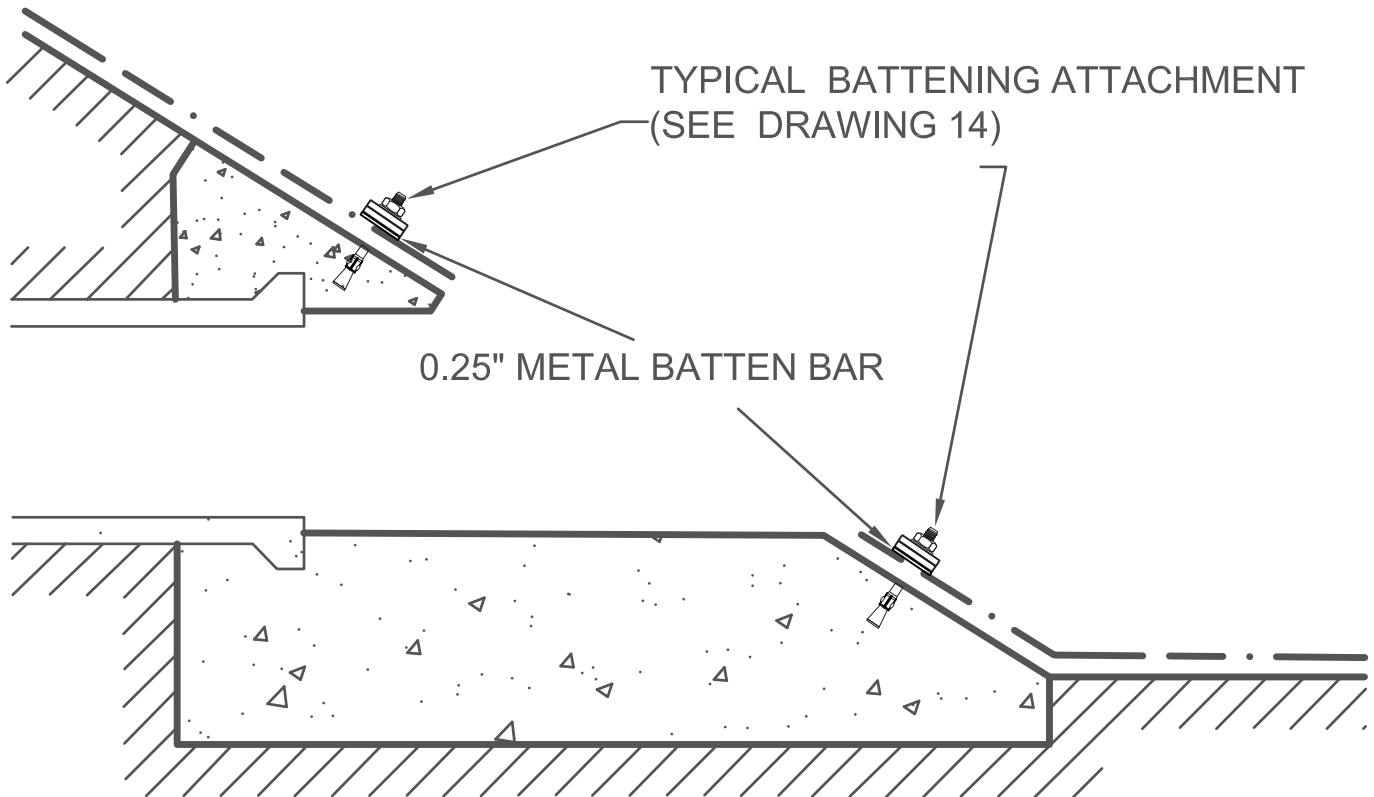


**LINER ATTACHMENT TO TYPICAL CIRCULAR OR
RECTANGULAR INFLOW OR OUTFLOW STRUCTURE**



Typical Concrete Inflow/Outflow Attachment Details			
Company Name:			
DRAWN BY:	SCALE:	DATE:	DRAWING NUMBER:
			5