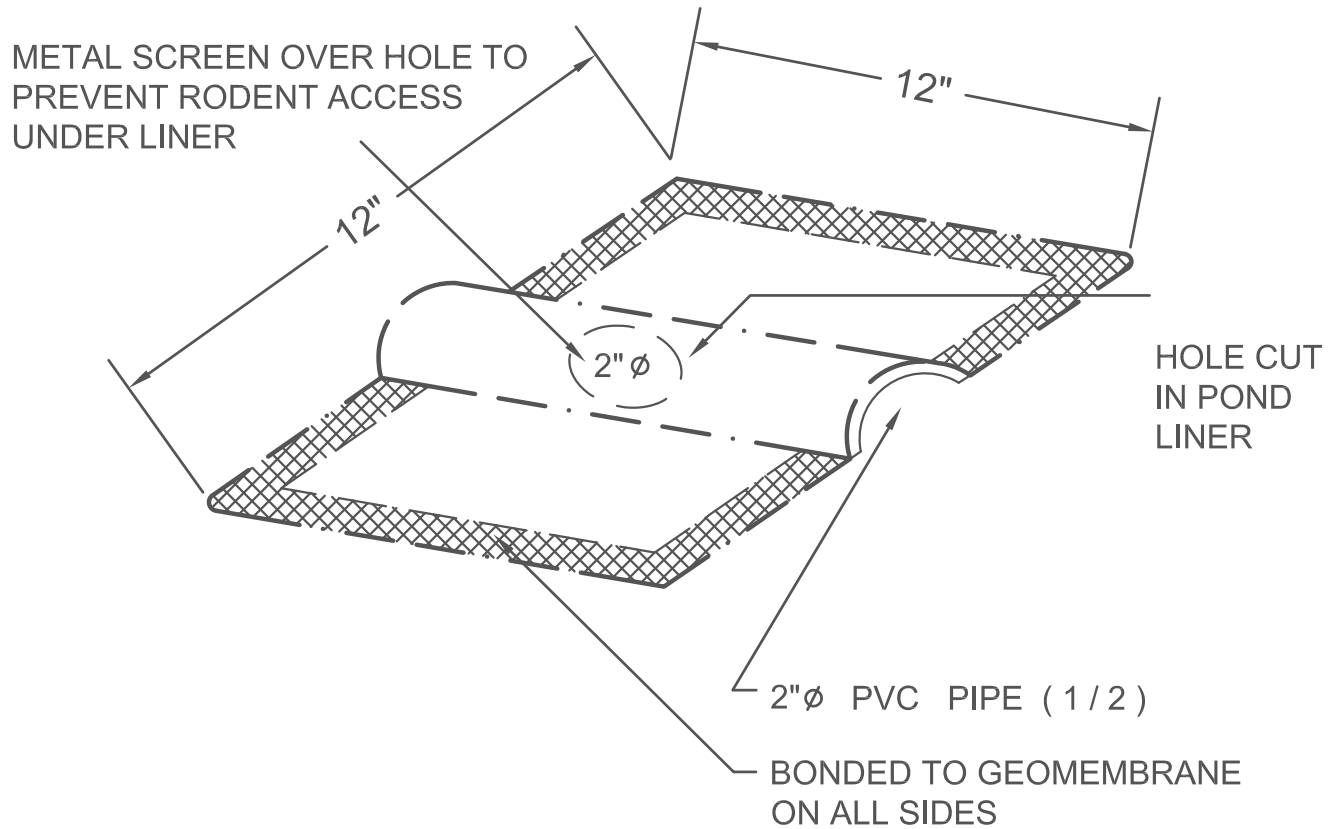
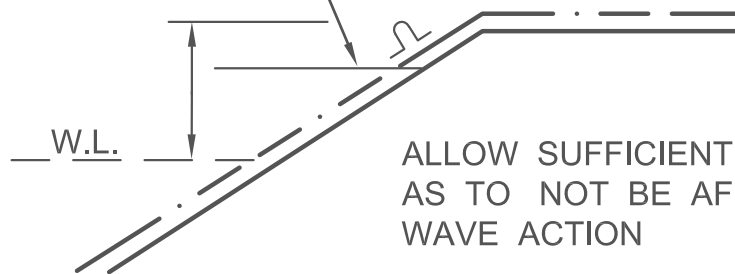


**TYPE "B" GEOMEMBRANE BERM VENT DETAIL FOR UPLIFT AND GAS VENTING**



MAXIMUM HEIGHT OF WAVES TO PREVENT WAVES HITTING VENT



Type "B" Berm Vent Detail For Uplift And Gas			
Company Name:			
DRAWN BY:	SCALE:	DATE:	DRAWING NUMBER:
			12