

# Product datasheet

## HeatMax™ rotary thermostat

The HeatMax™ rotary thermostat is a simple to use electronic thermostat, designed for use with warm water underfloor heating systems.



### Technical:

- Installed dimensions: 80mm x 80mm x 31mm
- Weight: 125g
- IP rating: IP30

### Electrical data:

- Power supply: 230VAC 50/60Hz
- Rating: 3A
- Max switching current: 3A

### Temperature range:

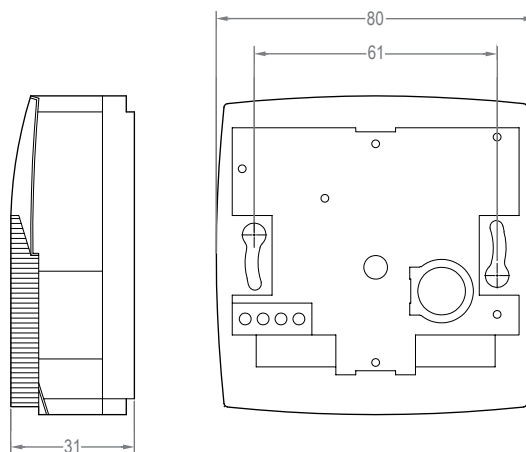
- Temperature range: 5°C to 30°C
- Accuracy:  $\pm 0.1^\circ\text{C}$

### Accreditations:

- Low voltage 2006/95/CE EMC 2004/108/CE
- EN 61000-4-2 - 2001
- EN 61000-6-1 - 2002
- EN 60730-1 - 2003
- EN 61000-6-3 - 2004

### Features:

- Simple operation and installation
- Comfort operating mode
- LED mode indicator
- Simple range limiter with movable pins
- Tamper proof option available
- Remote sensor option
- Surface mount



## About us

No ifs, no buts. The award-winning Continental Underfloor® service means you get an underfloor heating system delivered to you on time, on site, every time, no compromise.

