

## HeatMax™

Dial room thermostat  
34017



### Installation & User Guide

#### Description / Overview

The HeatMax™ Dial room thermostat is an electronic thermostat designed for use with warm water underfloor heating systems.

- Comfort operating mode (Day time use)
- Reduced operating mode (Night setback)
- Automatic Night setback (in conjunction with HeatMax™ UFH NSB timer)
- Maximum and minimum temperature settings limited by movable pins
- Optional floor and wet area sensors available
- Floor temperature limitation (low or high with the optional sensor)

#### How it works

The HeatMax™ Dial room thermostat is a state of the art, silent thermostat with a clear readable dial that lets you control the way you like your home heated.

If the room air temperature is below the current set temperature, it “calls for heat”, and this output is sent to the UFH wiring centre, which controls the pump and the boiler.

Similarly, once the room has been heated and the set temperature is reached, this output ends and the corresponding heating zone valve will close. If all thermostats on the system are satisfied, both the pump and boiler will shut down.

An LED indicator tells you what is happening with your thermostat as follows:

- Red: Normal operating mode, heating is required
- Off: Normal operating mode, heating is satisfied
- Orange: Set back mode, heating is required
- Green: Set back mode, heating is satisfied
- Green blinking:

-1 second cycle → internal sensor failure

-2 second cycle → external sensor failure

-0.5 second cycle → internal and external sensor failure

#### NOTE:

- For standard applications a 3 core + earth cable is required. For automatic night set back a 4 core + earth is required.

#### Installation

#### CAUTION:

- ! Do not make any electrical connections until you are certain the power is switched off

#### Tools required

1. Phillips Screwdriver (for cover removal or replacement)
2. Slotted Screwdriver with a 2.5mm or 3.0mm blade (for terminal connections)
3. Screwdriver to suit mounting screws (not supplied)

#### Step by step guide

1. Gently lever off the dial of the thermostat from its shaft
2. Using the Phillips screwdriver undo the screw located in the central hole
3. The two parts of the thermostat can now be separated
4. Mount the backing plate on the wall at your selected thermostat position
5. Connect the cable in the following order
  - Terminal 4 neutral
  - Terminal 2 live
  - Terminal 1 switched live

6. Terminal A/B pilot wire (if using HeatMax™ UFH NSB timer)
7. If the optional external sensor is being used connect the sensor to terminals NTC
8. Set the configuration settings (see set-up / commissioning)
9. Replace the face of the thermostat on to the mounting plate and secure with the screw
10. Replace the dial on to the shaft and press gently to the face of the thermostat. Note the positions of dial pins when refitting

#### NOTE:

Ensure that the thermostat

- Is not higher than 1.5m from the floor
- Is at least 200mm away from the edge of a door
- Not in direct sunlight
- Not next to a window
- Not over a heat source

#### Set-up / Commissioning

#### CAUTION:

- ! Do not make any electrical connections until you are certain the power is switched off

#### Configuration switch settings:

The standard, factory settings are suitable for room thermostat use. With the internal sensor

#### Default switch setting



#### Switch 1

Output Normally Open  
Output Normally Closed



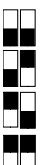
#### Switch 2

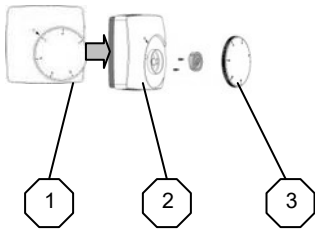
Static differential **off**  
Or proportional **on**



#### Switch 3&4

-Thermostat as room sensor  
-External probe sensor  
-Thermostat as room sensor with lower limit floor on external probe  
-Thermostat as room sensor with upper limit floor on external probe





### Calibration of thermostat:

- This is only to be carried out if recalibration is required. The thermostats are set during manufacturing
- Remove the dial and divide parts (2) & (3)
- Put the bottom part (2) back on the shaft
- Turn the part (2) until you have the led shining in limit position. (Check with external thermometer)
- Then put the dial (3) back in correct position
- Pins (1) can be used to set the minimum and maximum temperature using the holes around (2)

### User Guide

To change the Operating mode move the selector switch to the following

#### External PILOT WIRE mode:

The Thermostat will follow the external PILOT WIRE signal to switch between comfort and reduced temperature. (When used in conjunction with the HeatMax™ UFH NSB timer).

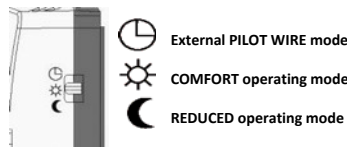
#### COMFORT operating mode:

Comfort temperature operation indefinitely.

#### REDUCED operating mode:

Reduced temperature operation indefinitely. (Set back)

This is 4°C Lower than the set temperature on the dial



### Spare Parts / Accessories

#### Spares

There are no spares available for this item

#### Accessories

Optional HeatMax™ remote sensor & housing

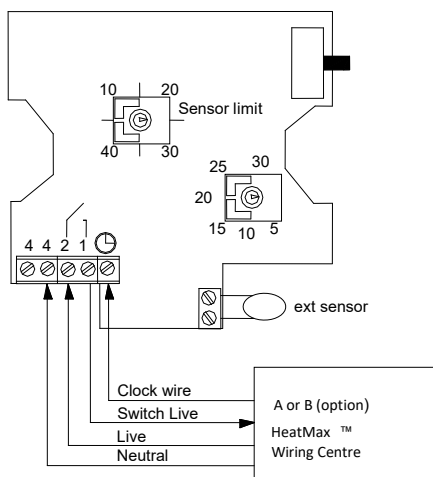
Model: 34023

### Address and Contact Information

CONTINENTAL UNDERFLOOR  
 Unit C  
 Pipers Close  
 Pennygillam Ind Est  
 Launceston  
 PL15 7PJ  
 United Kingdom  
 Telephone: 0333 800 1750  
 Fax: 0333 800 1780  
 Email: - info@ufh.co.uk  
 Web: - www.ufh.co.uk

### Remote Temperature Sensor

When used as a floor temperature limit thermostat or in wet room applications, the external sensor should be connected as follows.



### Technical Information

Power Supply	230 VAC: 230 VAC +/- 10%
Operating temperature	0°C - 50°C
Set temperature range	5°C – 30°C by 0.5°C step
Static differential	0.5°C or Proportional 10 min for 2°C
Electrical Protection	Class II - IP30
Contact	TRIAC
Output	230 VAC: TRIAC to drive 230 VAC Actuators, 15 W Max
Optional External Floor sensor	NTC (10K Ohms) 3m
Limit temperature	10 to 40°C