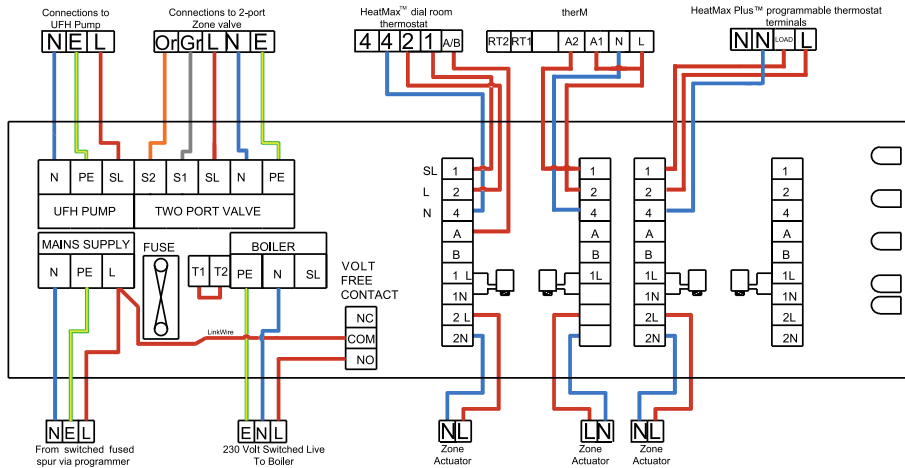


Wiring schematics

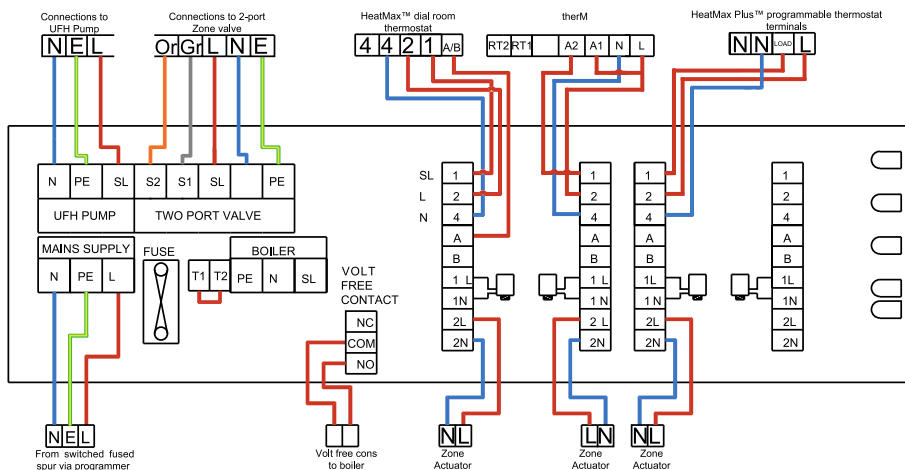
HeatMax™ UFH wiring centre

Wiring schematic 230 volt switching to boiler



Note that the use of the link wire across the free contacts is to prevent back feed through the control

Wiring schematic for volt free switching to boiler



Wiring schematic boiler switching via zone valve

