
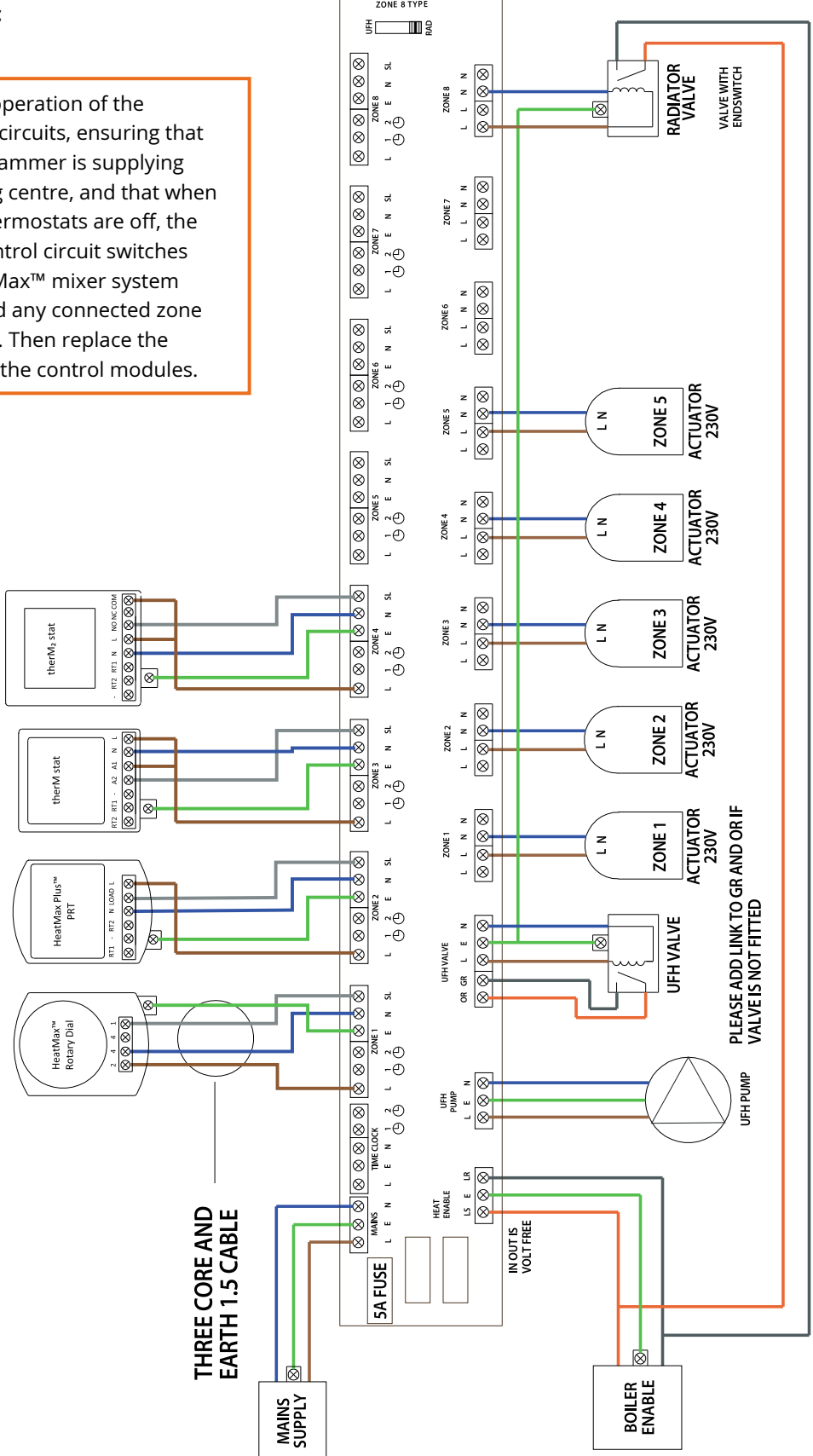


# Wiring schematics

## HeatMax Plus™ UH8 UFH wiring centre

### 230v Wiring schematic

 Test the operation of the electrical circuits, ensuring that the programmer is supplying the wiring centre, and that when all the thermostats are off, the pump control circuit switches the HeatMax™ mixer system pump and any connected zone valves off. Then replace the covers to the control modules.



THREE CORE AND EARTH 1.5 CABLE

PLEASE ADD LINK TO GR AND/OR IF VALVE IS NOT FITTED