

**HeatMax™**  
UFH wiring centre extension  
34011  
34013



**Installation & User Guide**

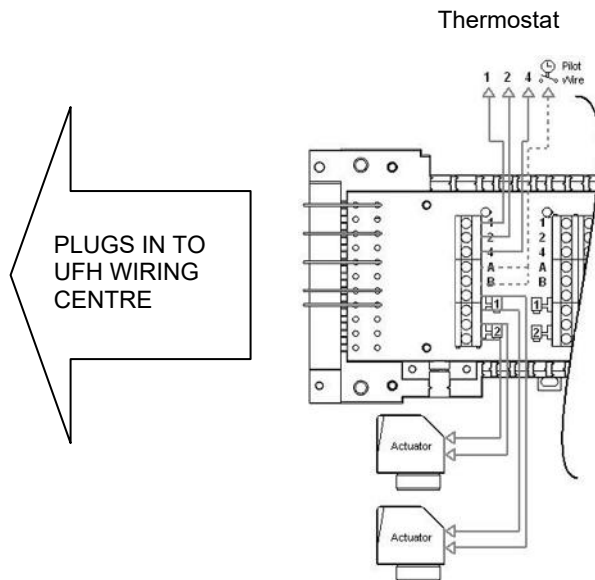
## Description / Overview

The HeatMax™ UFH wiring centre extension is a 4 or 6 zone extension module, which attaches to a HeatMax™ UFH wiring centre and is designed for use with underfloor heating systems.

- Permits 4 or 6 additional thermostats
- Allows for additional HeatMax™ zone actuators
- DIN rail or wall mounted (as per UFH wiring centre)

## How it works

The HeatMax™ UFH wiring centre extension is a connecting device, which allows you to add additional thermostatic zones to your HeatMax™ UFH wiring centre. It connects via a simple push together system with no additional wiring between UFH wiring centre and wiring extensions.



## Installation

### CAUTION:

- ! Do not make any electrical connections until you are certain that the power is switched off

### Tools required

1. Phillips Screwdriver (for cover removal or replacement)
2. Slotted Screwdriver with a 2.5mm or 3.0mm blade (for making terminal connections)
3. Screwdriver to suit mounting screws (not supplied)

### Step by step guide

1. Using a Phillips screwdriver, undo the two cover screws to the far right locating the cover of the HeatMax™ UFH wiring centre or the HeatMax™ UFH wiring centre extension
2. Using a Phillips screwdriver, undo all the cover screws locating the cover of the HeatMax™ UFH wiring centre extension
3. The HeatMax™ UFH wiring centre extension then simply plugs into the end of the HeatMax™ UFH wiring centre or additional HeatMax™ UFH wiring centre extension.
4. To fully secure the unit, screw countersink head mounting screws through the holes in the base plate or fit to DIN rail
5. Using a slotted screwdriver with a 2.5mm or 3.0mm blade, make all thermostat and zone actuator terminal connections
6. Using a Phillips screwdriver replace the two cover screws previously removed, locating the cover of the HeatMax™ UFH wiring centre.
7. Replace the HeatMax™ UFH wiring centre extension cover then, replace all the cover screws – this clamps all the wires in place

### NOTE:

- ✓ Ensure you have made all connections prior to replacing the covers.

## Set-up / Commissioning

**CAUTION:**

- ! Do not make any electrical connections until you are certain that the power is switched off

No specific set up is required for the HeatMax™ UFH wiring centre extension.

See the Installation and user guide for the HeatMax™ UFH wiring centre for all terminal connections.

**NOTE:**

- Thermostats with pilot wires require a HeatMax™ UFH NSB timer to manage the Night Set Back Facility

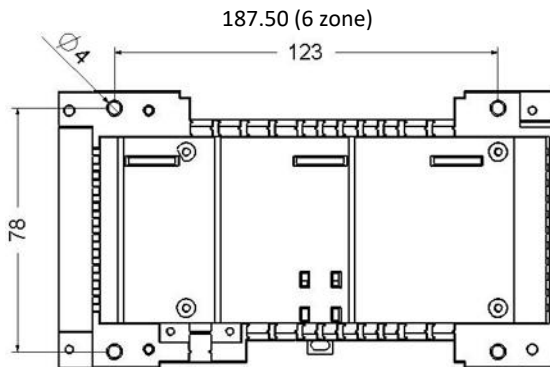
## User Guide

There are no user changeable parameters relating to the HeatMax™ UFH wiring centre extension

## Technical Information

Power Supply	230 VAC: 230 VAC +/- 10%
Operating temperature	0°C - 50°C (or 32°F – 122°F)
Electrical Protection	Class II - IP30
Maximum actuators per zone (15w)	4
Maximum actuators between all wiring centres and extensions	24
Contact	Triac
Dimensions wiring centre extension – 4 zone	159 x 88 x 58mm
Dimensions wiring centre extension – 6 zone	224 x 88 x 58mm

### UFH wiring centre extension fixing dimensions



## Spare Parts

There are no spares available for this item.

## Address and Contact information

### CONTINENTAL UNDERFLOOR

Unit C  
Pipers Close  
Pennygillam Ind Est  
Launceston  
PL15 7PJ  
United Kingdom

Telephone: 0333 800 1750

Fax: 0333 800 1780

Email: - [info@ufh.co.uk](mailto:info@ufh.co.uk)

Web: - [www.ufh.co.uk](http://www.ufh.co.uk)