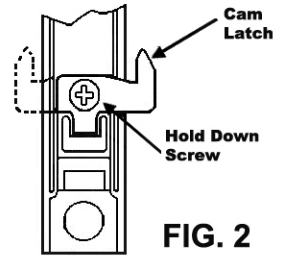
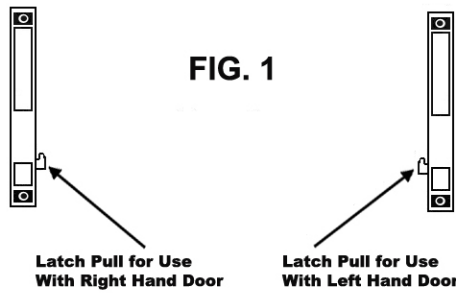


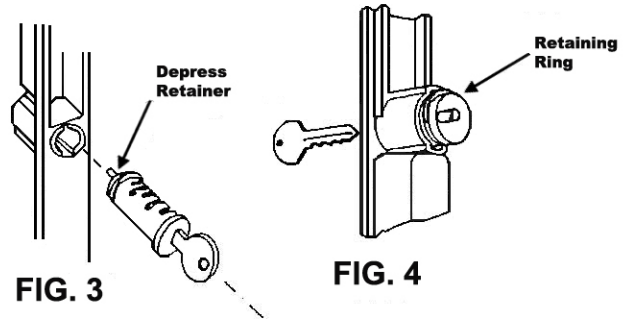


SERIES 3000 FLUSH HARDWARE INSTALLATION INSTRUCTIONS

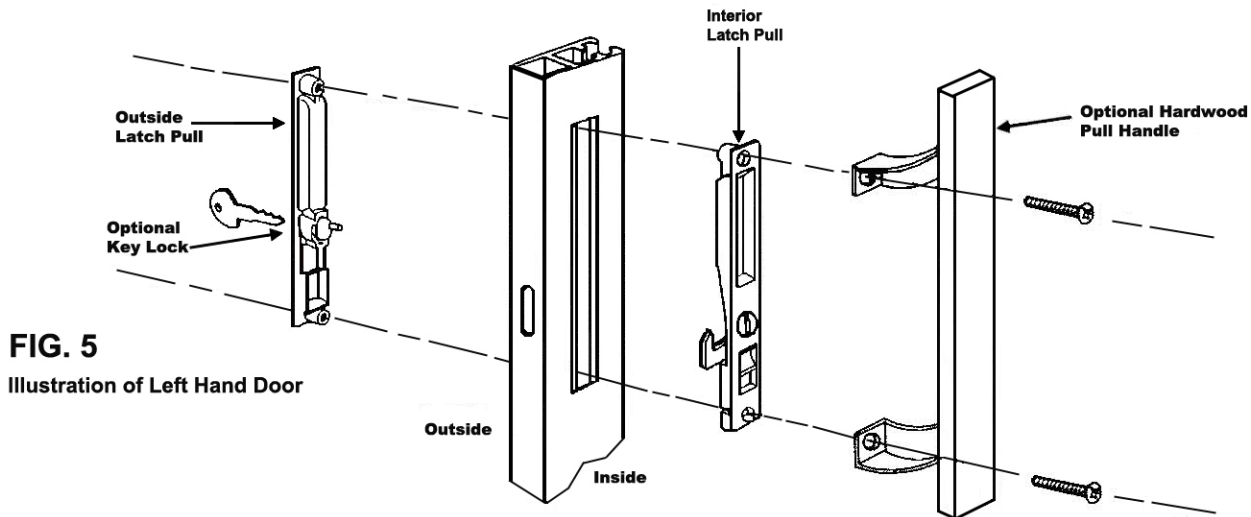
Determine "hand" of inside latch pull (direction of sliding panel - See Figure 1). If it is necessary to change the "hand" on the latch pull, remove hold down screw and reverse cam latch as shown in Figure 2 and replace screw.



OPTIONAL WAFER LOCK - Tap from the inside to remove knock-out plug in outside door latch pull. Depress retainer ring and insert key lock into opening on face of latch pull (See Figure 3). Push lock in latch pull until retainer ring expands in the back allowing key plug to turn freely yet preventing removal (See Figure 4). Be certain that the teeth on the key are in an up position prior to inserting into door panel.



INSTALLATION - Insert outside latch pull into door opening. Hold in place while installing interior latch pull. Position latch pulls with finger grip recess at top. Secure entire assembly with two #10 x 7/8" screws. Do not over tighten. NOTE: If optional hardwood pull is supplied, position as shown in Figure 5 and secure with two # 10 x 1 1/4" screws.



INSTALL KEEPER - Place latch in open position. Attach keeper to frame jamb using # 10 sheet metal screws (See Figure 6). Align horn of keeper with hole in panel jamb. If necessary, use shims for any lateral adjustment (in or out) (See Figure 7).

