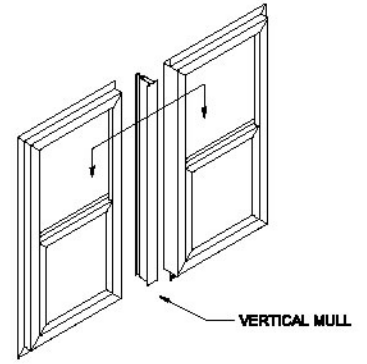
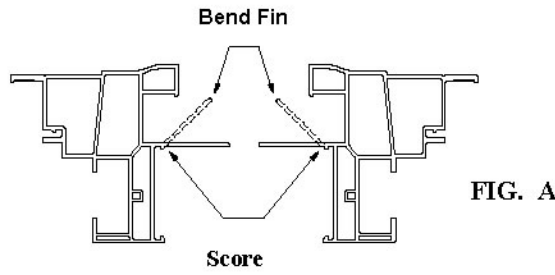
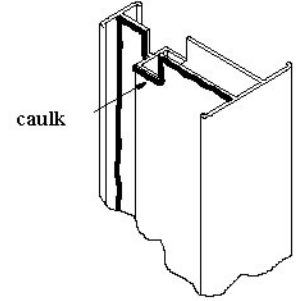
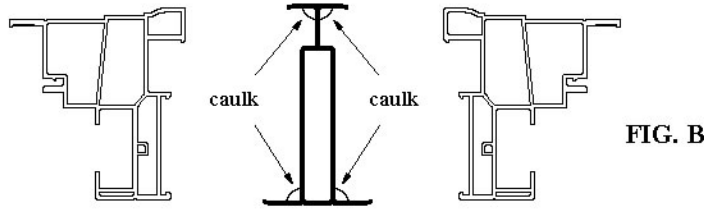


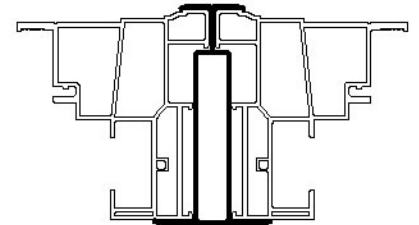
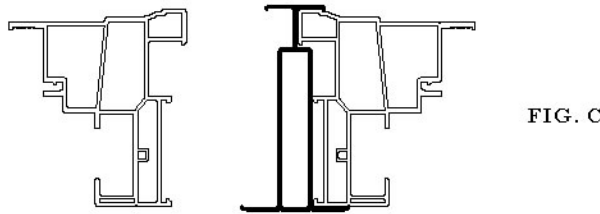
Step 1. Remove nailing fin on the sides of the windows that will be connected to the mull by first scoring the fin with a sharp object then peeling away as shown in fig. A.



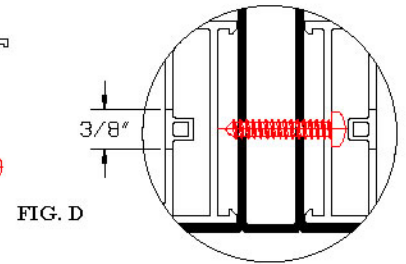
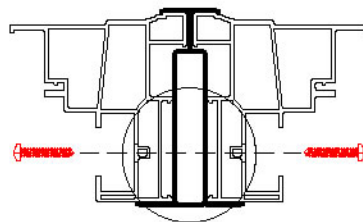
Step 2. Apply clear silicone caulking down entire length of mull in the 4 corners and along entire perimeter at the head end of the mull as shown in fig B.



Step 3. Position mull between the two windows as shown in fig. C.



Step 4: Raise sash of either single hung to a completely open position. At approximately 2" below the bottom of the sash, drill a 3/8" diameter hole through the first wall of material only. Secure with a #8 x 1" screw (see Fig. D). (Drill a 3/32" diameter pilot hole if needed.) Repeat this procedure at approximately 5" above the frame sill. Close and lock sash.



For windows with block and tackle balances: At approximately 5" above meeting rail, hold balance cords out of the way and drill a 3/8" diameter hole through the first wall of material only. Secure with a #8 x 1" screw (see Fig. D). (Drill a 3/32" diameter pilot hole if needed.) Repeat this procedure at approximately 5" below the frame head.

Step 5: Repeat Step 4 on opposite window making sure all screws are approximately 1" lower than previous screws.

Step 6: Apply a bead of silicone caulking along the entire perimeter of the underside of the mull cover as shown in Fig E. Slide the mull cover securely over fin as shown.

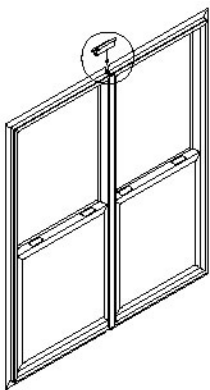


FIG. E

