



# " THERMOSTRUCT "

Series 60 Patio Door



**NOTE: If door was installed as an XO (as shipped) use these instructions**

**XO DOOR**

**NOTE: Hardware is to be installed only after installation of door into opening**

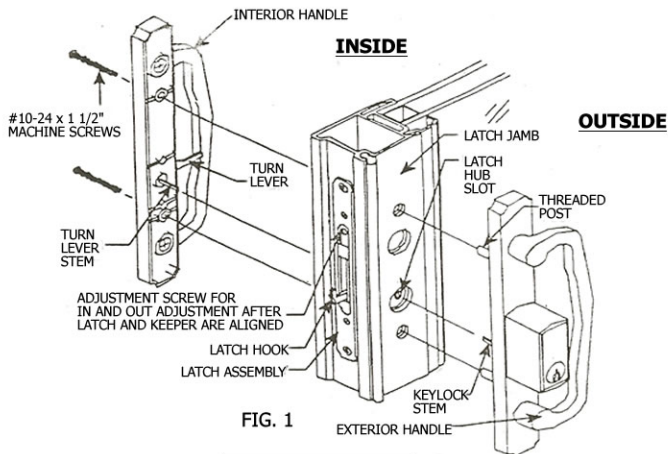
## Hardware Installation Instructions

### Step 1

Remove interior handle from cloth bag. Then Remove the (2) screws and washers from the latch jamb that are holding on the exterior handle. The washers will not be needed.

### Step 2

Place interior handle on latch jamb with the handle pull and turn lever facing towards the glass and the turn lever stem inserted into the latch hub slot. Secure handles by inserting the (2) screws that were previously removed through the interior hole and into the threaded posts (see FIG. 1).



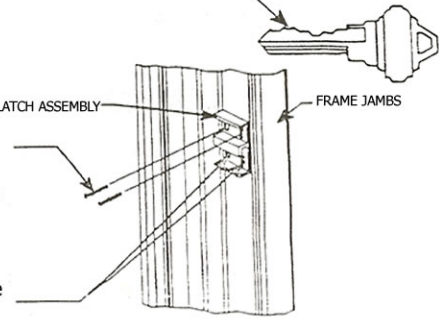
**IMPORTANT: INSTALL LOCK SO THAT NOTCHED SIDE OF KEY FACES UP.**

### Step 3

Locate (4) #8 x 1 1/4" phillips pan head sheet metal screws in cloth bag.

### Step 4

Install (2) #8 x 1 1/4 " sheet metal screws near the center of the top slot. Insure that the screws are installed completely through the frame and tightened against the keeper.



### Step 5

Remove these shipping screws and replace with (2) #8 x 1 1/4" sheet metal screws.

### Step 6

Screws may need to be loosened to adjust keeper up or down for proper latch engagement. Retighten screws after adjustment.

### Step 7

Locate adjustment screw on the latch assembly for in and out adjustment after latch and keeper are aligned (see FIG. 1).