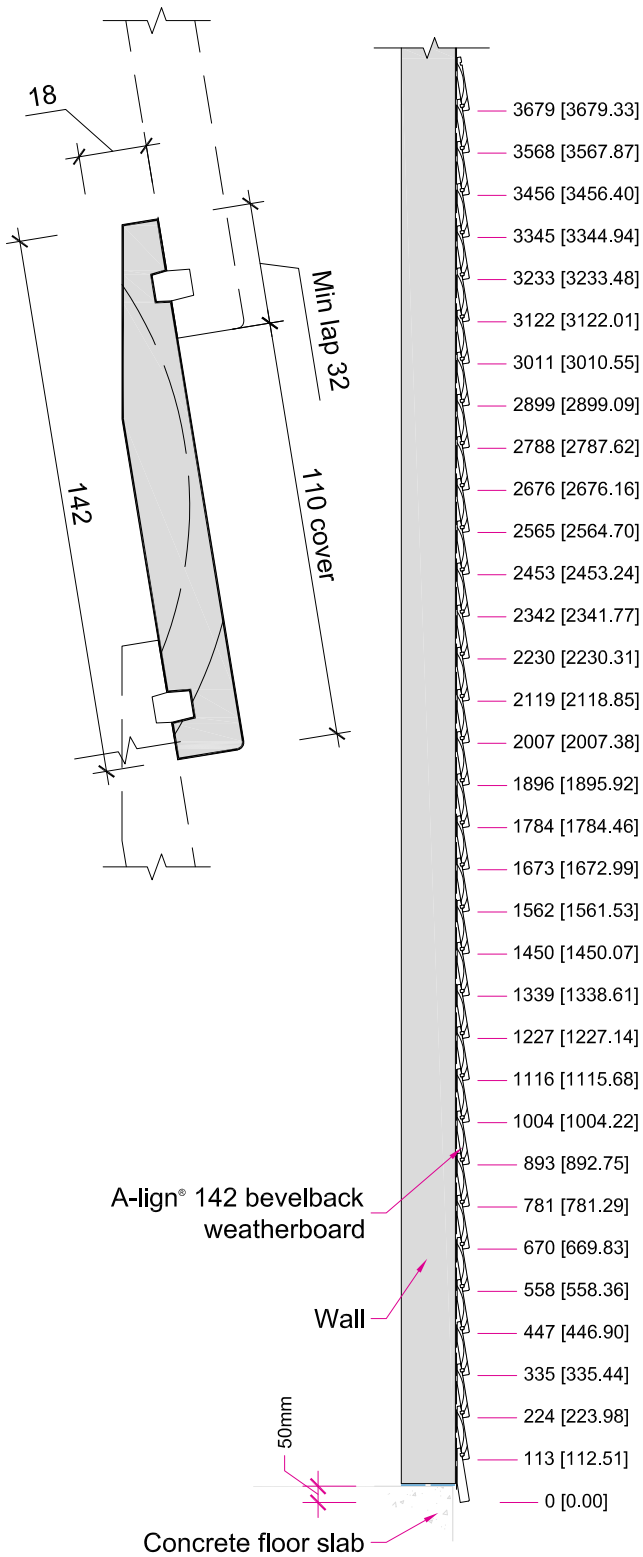
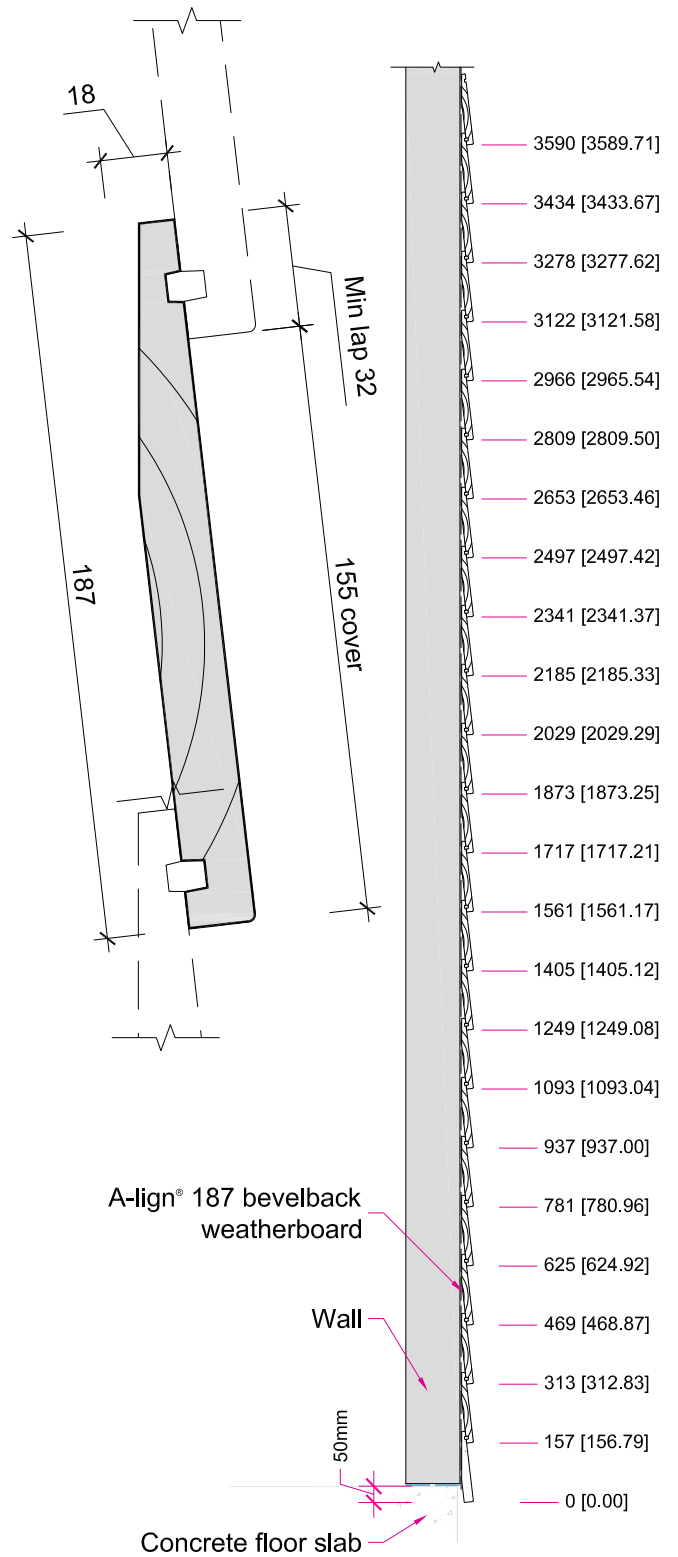


— Set out Guide



A-lign 142
Bevelback weatherboard



A-lign 187
Bevelback weatherboard

Dimensions within brackets are rounded to millimetres.
A-lign base weatherboard to finish min 50 mm below floor level
(and 175 mm above finished ground level or 100 mm above paving)