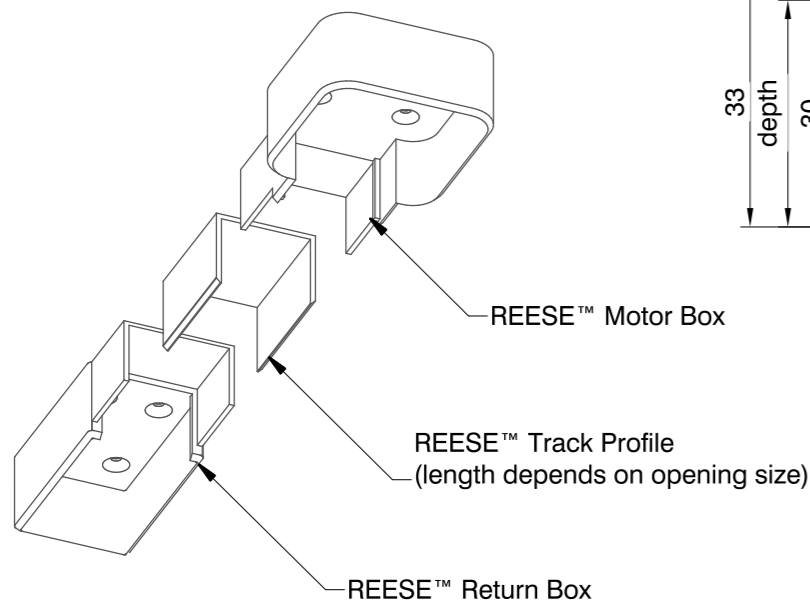


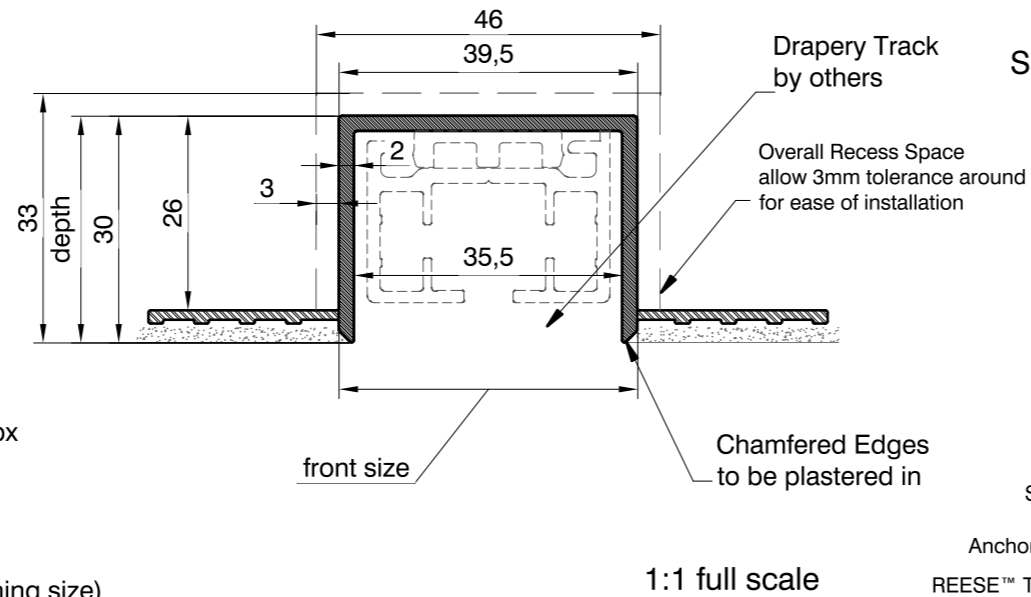
**REESE™ Return Box**  
item: SGRB1E

**REESE™ Track Profile**  
item: RT1E

**REESE™ Motor Box**  
item: SGMB1E

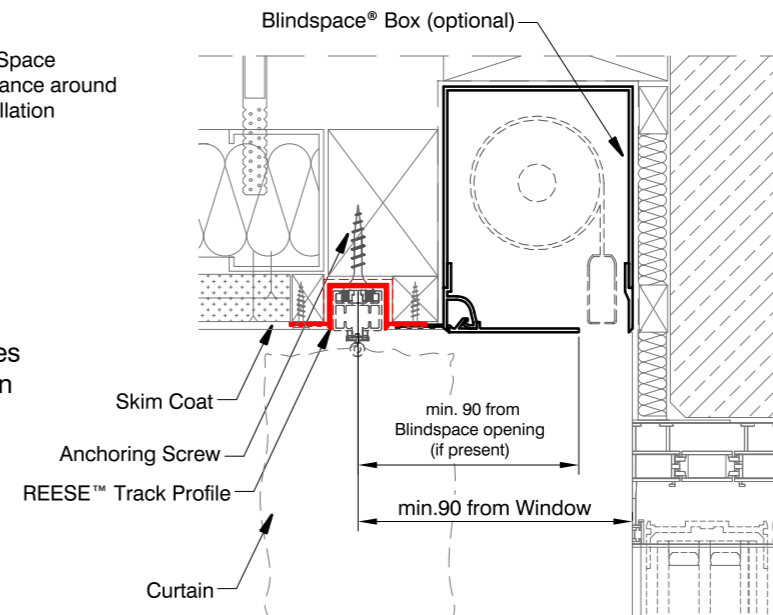


section A-A



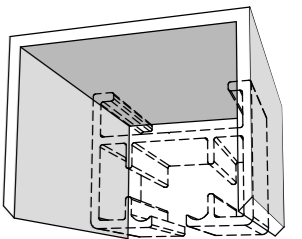
1:1 full scale

Sample Installation Detail



1:5 scale

Product	Reese SG1E
Description	Recessed profiles to house curtain tracks
Material	U-profile: Anodized Aluminium, grade: EN 6060 T66 End cap: Plastic POM Polymer
Finishes	White to be plastered in and decorated at site to match ceiling.
Tracks sizes	Curtain Tracks Sizes to fit inside the profiles: space available for third party track profile: W35xH27
Installation	Anchoring with countersink screws through profile walls near the center of profiles are recommended. The finished plaster level should be flush with chamfered edge.
Drawing	Standard Reese Track system SG1E
Item name	RT1E, SGMB1E, SGRB1E
Notes	Dimensions in mm Do not scale from drawing
Drawn by	M. Kozak
	A. Sundelin
Revision	change: date: R-01 first issue 2018-04-10 R-02 naming change 2018-04-17



Print date	2018-04-17
Print file	reese_sg1e_v01.dwg
Page size	ISO A3 420x297
Remarks	

REESE™