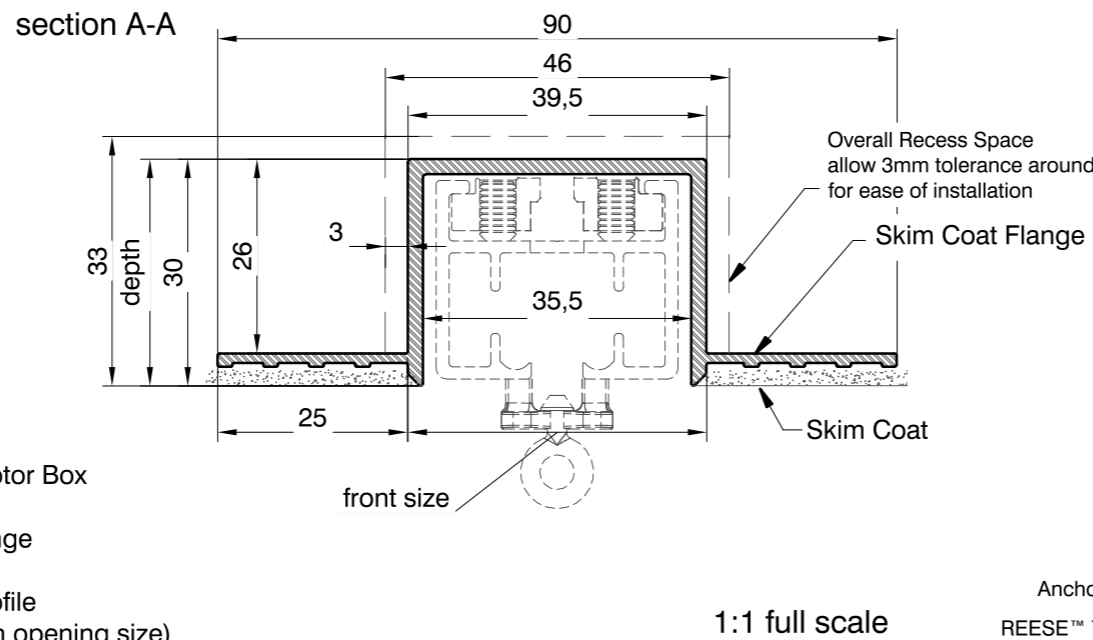
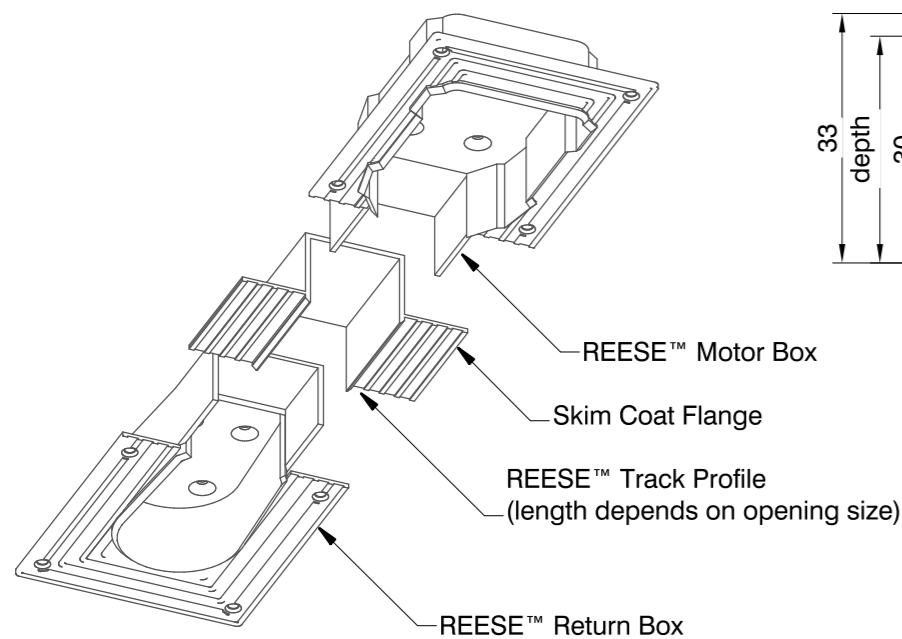


REESE™ Return Box
item: LRB1F

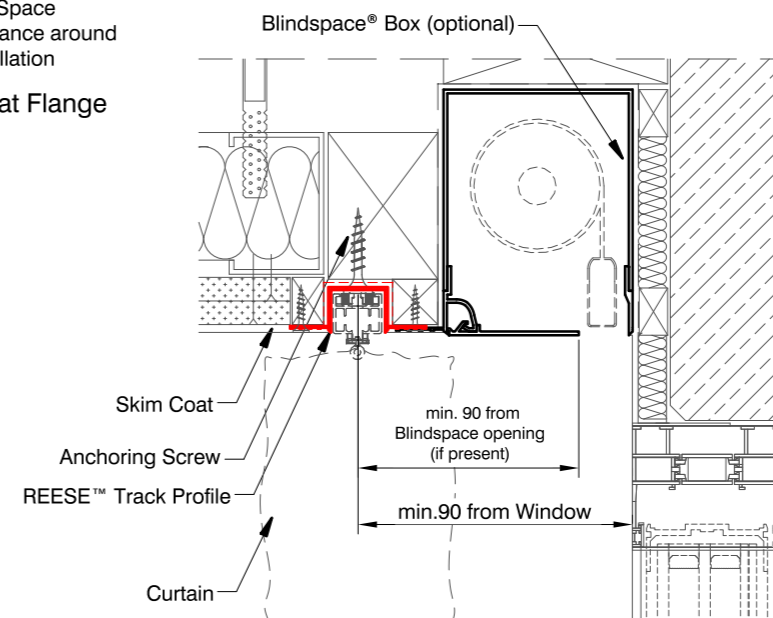
REESE™ Track Profile
item: RT1F

REESE™ Motor Box
item: LMB1F

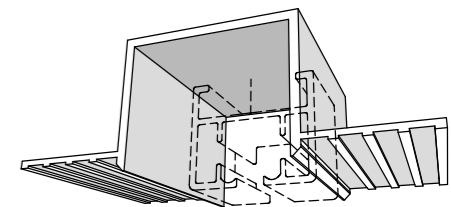


1:1 full scale

Sample Installation Detail



1:5 scale



| | | |
|--------------|--|-----------------------------------|
| Product | Reese L1F | |
| Description | Recessed profiles to house curtain tracks | |
| Material | U-profile: Anodized Aluminium, grade: EN 6060 T66 End cap: Plastic POM Polymer | |
| Finishes | White to be plastered in and decorated at site to match ceiling. | |
| Tracks sizes | Curtain Tracks Sizes to fit inside the profiles: space available for third party track profile: W35xH27 | |
| Installation | Anchoring with countersink screws through profile walls near the center of profiles are recommended. The finished plaster level should be flush with chamfered edge. | |
| Drawing | Standard Reese Track Profile L1F | |
| Item name | RT1F, LMB1F, LRB1F | |
| Notes | Dimensions in mm Do not scale from drawing | |
| Drawn by | M. Kozak | |
| Revision | change: R-01 first issue R-02 naming change | date: 2018-04-10 2018-04-17 |
| | A. Sundelin | |

| | |
|------------|-------------------|
| Print date | 2018-04-18 |
| Print file | reese l1f v01.dwg |
| Page size | ISO A3 420x297 |
| Remarks | |