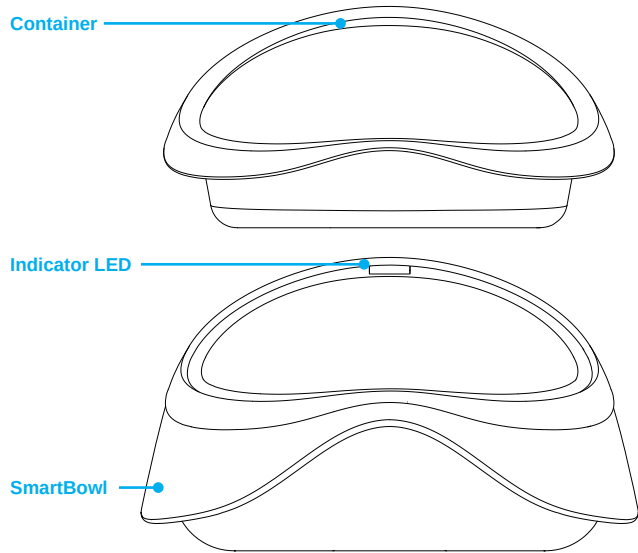


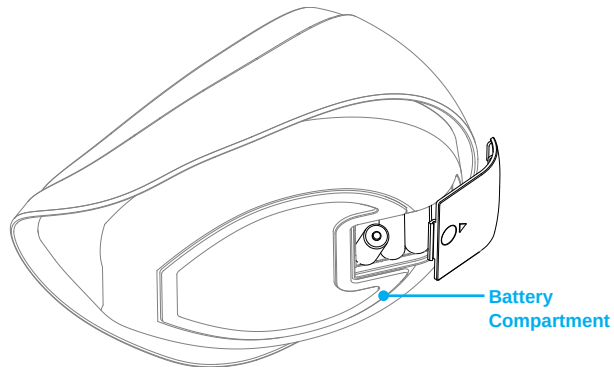


PETBLE SmartBowl Instruction Manual

Start Using SmartBowl

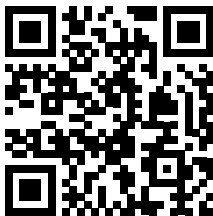


Powering Up the SmartBowl



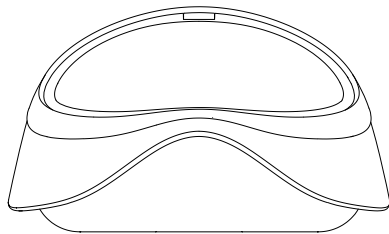
1. Insert 3 AA batteries into the batteries compartment located at the underside of the Smartbowl.

Pairing SmartBowl



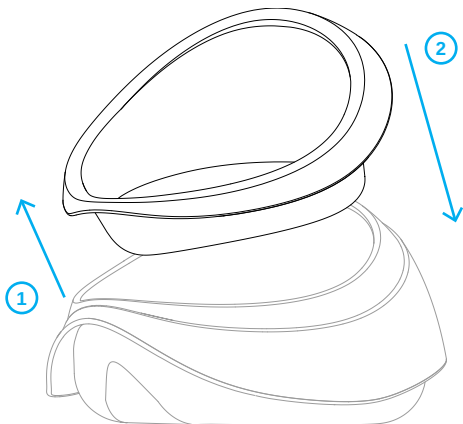
PETBLE SmartBowl and SmartTag are designed to work with the PETBLE app. You can download iOS and Android versions of the app from Apple's App Store and Google's Play Store respectively. Once installed, you can follow instructions from the app to pair both devices with your smartphone. For your convenience, the QR code to the stores is provided above.

SmartBowl Standalone Operation (1)



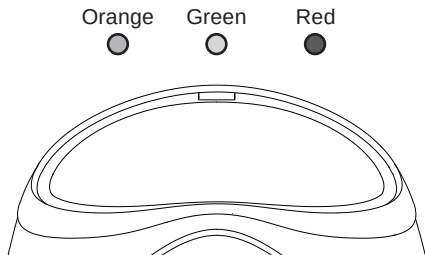
Everytime you set up the desired amount of food via the PETBLE app, PETBLE SmartBowl stores the figure in its memory and is able to use it for future feeding without requiring to connect to the app everytime. This is referred as the Standalone Operation mode. In this mode, the light indicator is used to indicate whether the right amount of food is put into the container.

SmartBowl Standalone Operation (2)



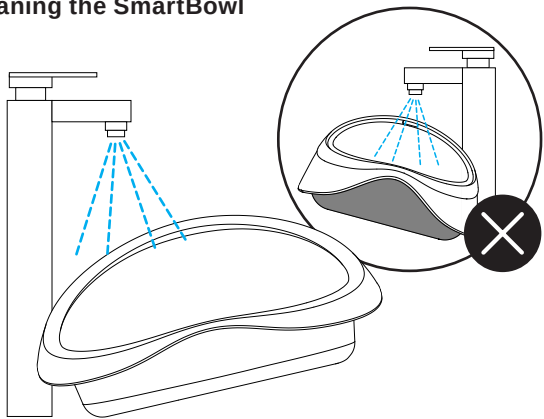
1. Trigger the standalone operation mode by lifting the container from the base. Once you see flashing red light from the indicator light, put back the container on the base to start the mode.

SmartBowl Standalone Operation (3)



2. After putting back the container on the base, wait for the indicator light for SmartBowl status.
 - Orange light is lit when too little food is in the container
 - Green light is lit when the right amount of food is in the container
 - Red light is lit when too much food is in the container
3. When there is no weight change over 5 seconds, SmartBowl assumes the end of operation and returns to normal mode.

Cleaning the SmartBowl



1. Wash the container under cold tap water with liquid detergent.
2. Wipe the container dry before putting it back on to the SmartBowl.

* Do not wash the Smartbowl.

Compliance

SmartBowl

Manufactured by:
SGI Venture Limited

22/F., Tower B, Billion Centre, No. 1 Wang Kwong Road
Kowloon Bay, Kowloon, Hong Kong

Rating: DC 3xAA 4.5V  0.1A

Batch No.: 20170104001A

Contain FCC ID: 2ACIJ71050-3

IC: 22249-SB1000A

Model No.: PETBLE-SBW-OP-1000A

SGI

