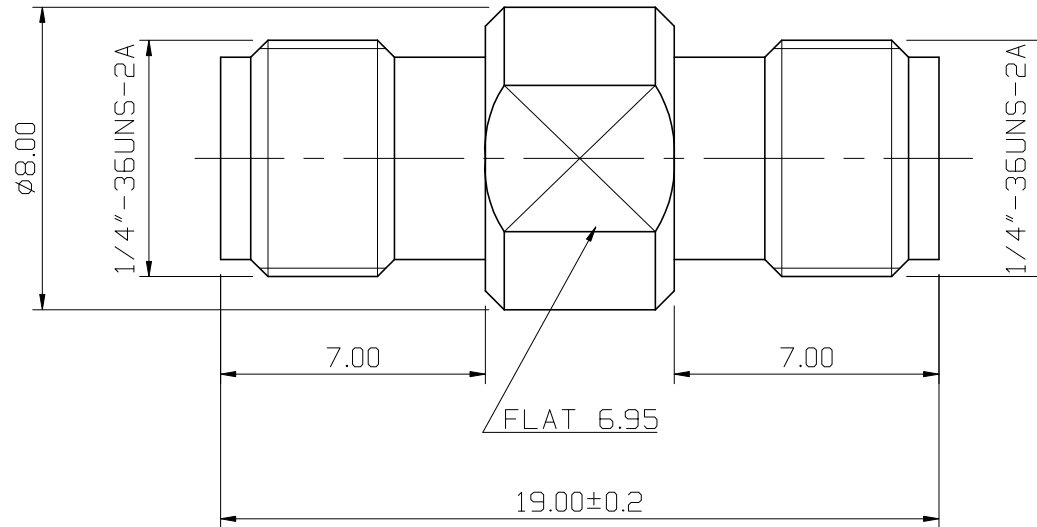
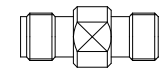


| | | | | | | |
|-----|------|-------------|-----|---|------|-------------|
| No. | DATE | DESCRIPTION | REV | REMARK : RoHS REQUIREMENT APPLIED (符合RoHS) | DATE | DRAWING NO. |
|-----|------|-------------|-----|---|------|-------------|




Electrical Specification:

1. Impedance : 50 ohm
2. Frequency Range : DC ~ 40 GHz
3. VSWR : 1.25 max.



S 1 : 1

| | | | | | | | | | |
|-----|-------------|------|------------------|------------|-------------|--|---|---|----|
| - | | | | | | DIMENSIONS ARE IN MILLIMETERS UNLESS OTHERWISE PECIFIED TOLERANCES (一般公差) 0.5~6 = ±0.2 >6~30 = ±0.4 >30~120 = ±0.6 >120~315 = ±1 >315~1000 = ±1.6 ANGLES(角度) = ±5° | CHECKED |  雅鈦企業有限公司 Aec Connectors Co., Ltd. | |
| - | | | | | | | TITLE | | |
| 4 | contact pin | 1 | beryllium copper | gold (3u") | | | DRAWN | 2.92mm Female TO Female ADAPTOR | |
| 3 | body b | 1 | SUS303 | passivated | | | <i>Jordan</i> | DRAWING NO. | |
| 2 | insulator | 1 | PEI | nature | | DATE | ADT-3015S-KS25TP-KS25TP | | |
| 1 | body a | 1 | SUS303 | passivated | | 2021. 04. 12 | FILE NO. DRAWING\RFVADTPTOR\ADT-3015S-KS25TP-KS25TP | | |
| NO. | Description | Unit | Materials | Finish | Drawing No. | SCALE | 5 : 1 | UNIT | MM |