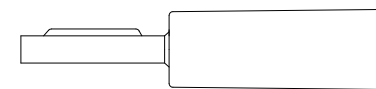
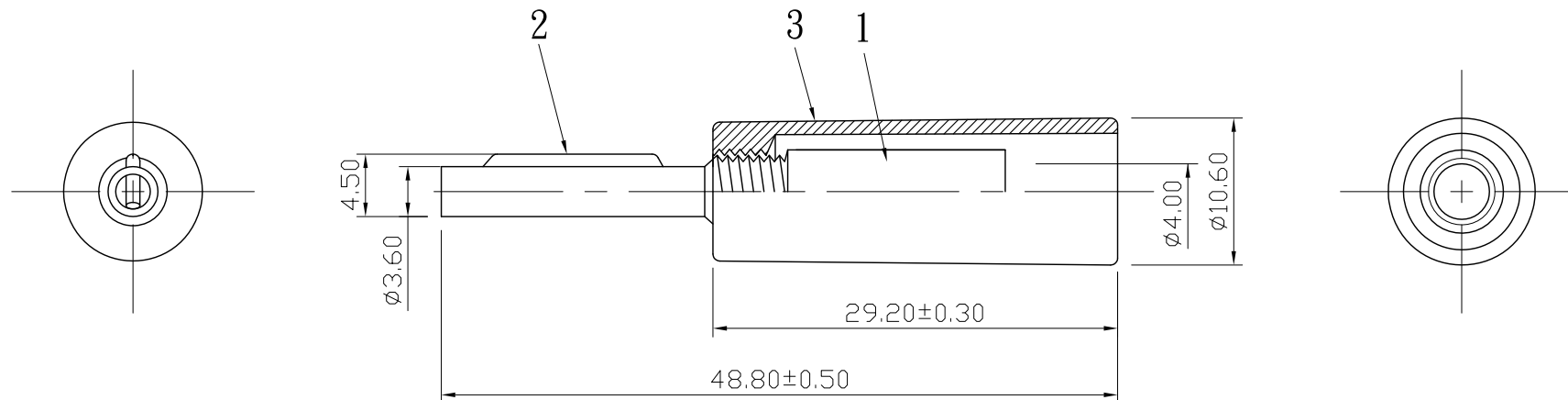



| No. | DATE | DESCRIPTION | REV |
|-----|--------------|--------------------------|-----|
| △ | 2014. 04. 21 | Material for change 材質變更 | A |

REMARK : RoHS REQUIREMENT APPLIED
(符合RoHS)



S 1 : 1

| | | | | | | | | | | | |
|-----|-------------|------|-----------|-----------|-------------|--|---------|--|-------|--------------|--------------------------------------|
| 7 | | | | | | DIMENSIONS ARE IN MILLIMETERS UNLESS OTHERWISE PECIFIED TOLERANCES (一般公差) 0.5~6 = ±0.2 >6~30 = ±0.4 >30~120 = ±0.6 >120~315 = ±1 >315~1000 = ±1.6 ANGLES(角度) = ±5° | CHECKED |  雅鈦企業有限公司 Aec Connectors Co., Ltd. | | | |
| 6 | | | | | | | | | | | |
| 5 | | | | | | | | | | | |
| 4 | | | | | | | | | TITLE | BANANA PLUG | |
| 3 | shell | 1 | plastic | red/black | | | | | DRAWN | Jim | |
| 2 | spring | 1 | steel | gold | | | | | DATE | 2007. 10. 24 | |
| 1 | body | 1 | brass | gold | | | | | | DRAWING NO. | BP-207RD/BKPLG-4.0 |
| NO. | Description | Unit | Materials | Finish | Drawing No. | SCALE | 2 : 1 | UNIT | MM | FILE NO. | DRAWINT\AUDIO\BP\BBP-207RD/BKPLG-4.0 |