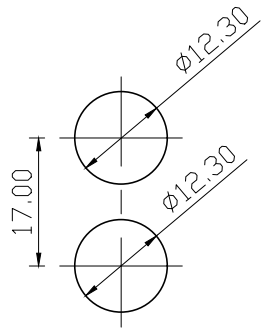
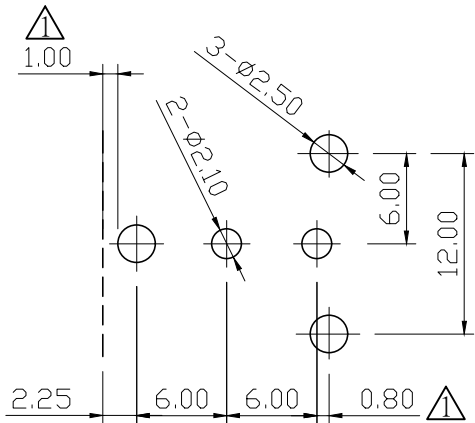


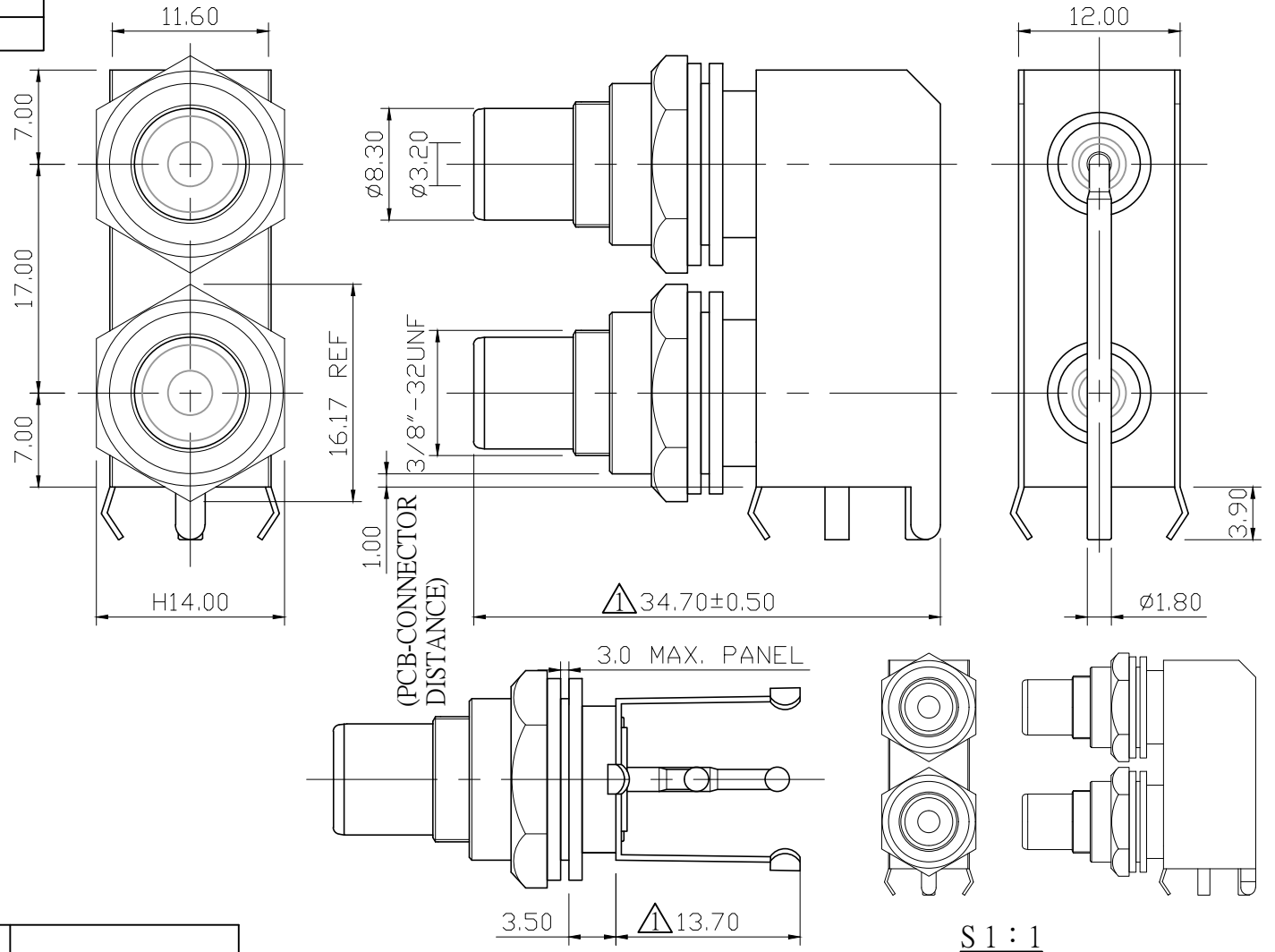
No.	DATE	DESCRIPTION
▲	2018. 07. 23	Drawing revised.



CASE HOLE DIMENSION



RECOMMEND P.C.B. LAYOUT
(建議印刷電路板配置)



9	washer	2	plastic	black/red/white/ orange/yellow	
8	washer	2	plastic	black/red/white/ orange/yellow	
7	nut	2	brass	gold	
6	plate	1	phosphor bronze	gold	
5	insulator	2	PTFE	white	
4	insulator	2	PTFE	white	
3	contact pin	1	brass	gold	
2	contact pin	1	brass	gold	
1	body	2	brass	gold	
NO.	Description	Unit	Materials	Finish	Drawing No.

DIMENSIONS ARE IN
MILLIMETERS

UNLESS OTHERWISE SPECIFIED
TOLERANCES
(一般公差)
0.5-6 = ±0.2
>6-30 = ±0.4
>30-120 = ±0.6
>120-315 = ±1
>315-1000 = ±1.6
ANGLES(角度) = ±5°

SCALE 2 : 1 UNIT MM

CHECKED

DRAWN
Otis

DATE
2017. 10. 11



雅鈦企業有限公司
Aec Connectors Co., Ltd.

TITLE
RCA JACK

DRAWING NO. RJ-209GG-TEF-
BK/RD/WE/OE/YW&BK/RD/WE/OE/YW

FILE NO. DRAWING\AUDIO\NRJ-209GG-TEF-BK/RD/WE/OE/YW&BK/RD/WE/OE/YW