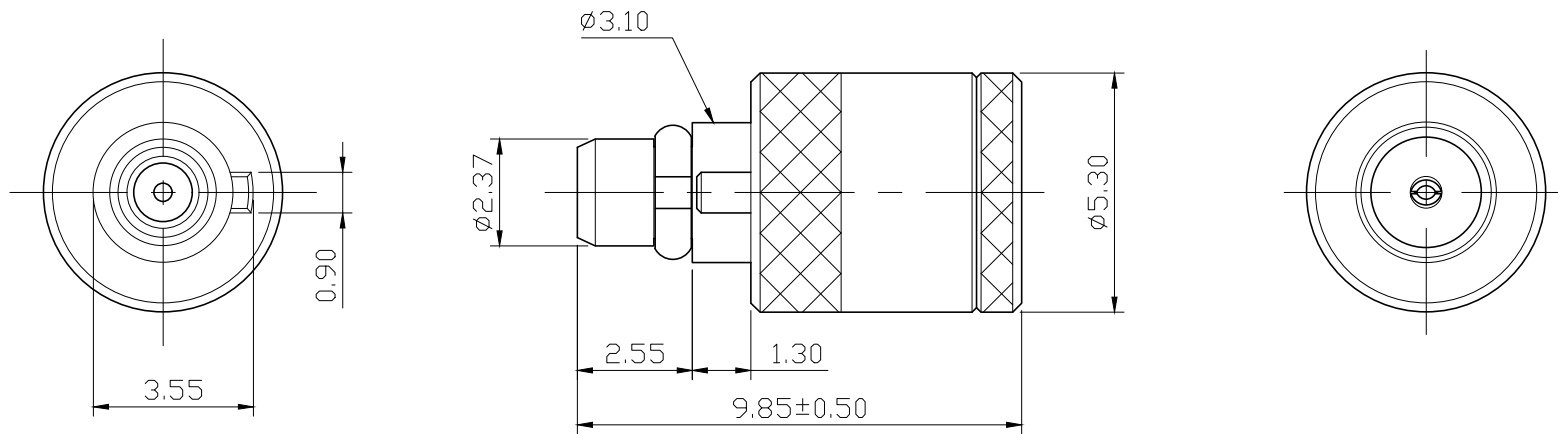



REMARK : RoHS REQUIREMENT APPLIED
(符合RoHS)



S 1 : 1

7						DIMENSIONS ARE IN MILLIMETERS				CHECKED	 雅鈦企業有限公司 Aec Connectors Co., Ltd.	
6	shell	1	brass	gold(5u")								UNLESS OTHERWISE SPECIFIED TOLERANCES (一般公差) 0.5~6 = ±0.2 >6~30 = ±0.4 >30~120 = ±0.6 >120~315 = ±1 >315~1000 = ±1.6 ANGLES(角度) = ±5°
5	c ring	1	beryllium copper	gold(5u")		DATE 2021. 01. 08				oBMMCX PLUG TO MMCX JACK ADAPTOR		
4	body	1	brass	gold(5u")						FILE NO. DRAWING\AUDIO\RA\RA-506GG(BeCu)-5u-TEF		
3	insulator	1	PTFE	white		RA-506GG(BeCu)-5u-TEF						
2	insulator	1	PTFE	white						NO. Description Unit Materials Finish Drawing No. SCALE 6 : 1 UNIT MM		
1	contact pin	1	beryllium copper	gold(5u")								
NO.	Description	Unit	Materials	Finish	Drawing No.					SCALE	6 : 1	UNIT