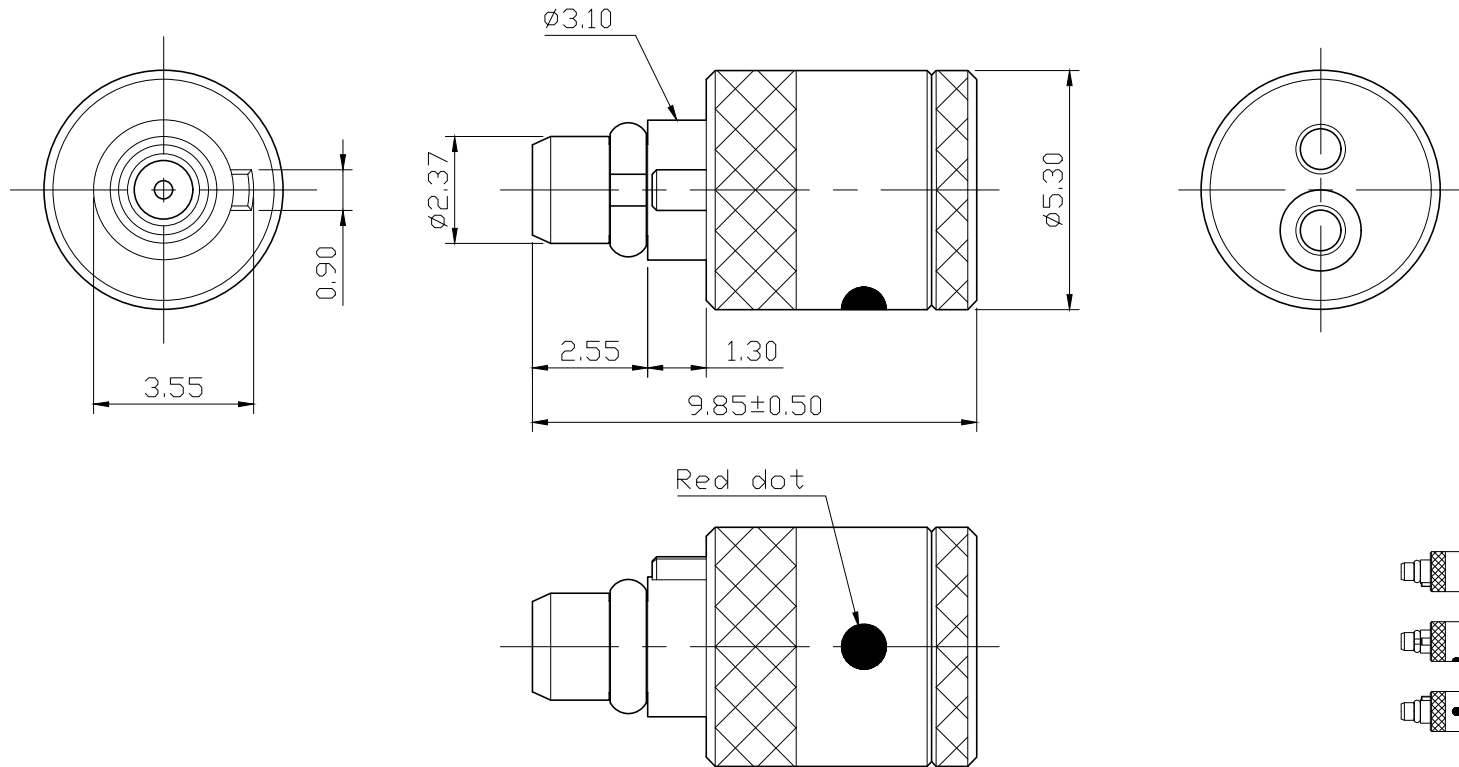



REMARK : RoHS REQUIREMENT APPLIED  
(符合RoHS)



S 1 : 1

8	shell	1	brass	gold(5u")		DIMENSIONS ARE IN MILLIMETERS  UNLESS OTHERWISE PECIFIED TOLERANCES (一般公差) 0.5~6 = ±0.2 >6~30 = ±0.4 >30~120 = ±0.6 >120~315 = ±1 >315~1000 = ±1.6 ANGLES(角度) = ±5°	CHECKED	 <b>雅鈦企業有限公司</b> Aec Connectors Co., Ltd.	
7	c ring	1	beryllium copper	gold(5u")			DRAWN <i>Ada</i>		TITLE oBMMCX PLUG TO 2 PIN IEM JACK ADAPTOR
6	body	1	brass	gold(5u")			DATE 2021. 01. 08	DRAWING NO. RA-505GG(BeCu)-5u-TEF	
5	insulator	1	PTFE	white				FILE NO. DRAWINGAUDIO\RA\RA-505GG(BeCu)-5u-TEF	
4	insulator	1	PTFE	white					
3	contact pin c	1	beryllium copper	gold(5u")					
2	contact pin b	1	beryllium copper	gold(5u")					
1	contact pin a	1	beryllium copper	gold(5u")					
NO.	Description	Unit	Materials	Finish	Drawing No.	SCALE	6 : 1	UNIT	MM