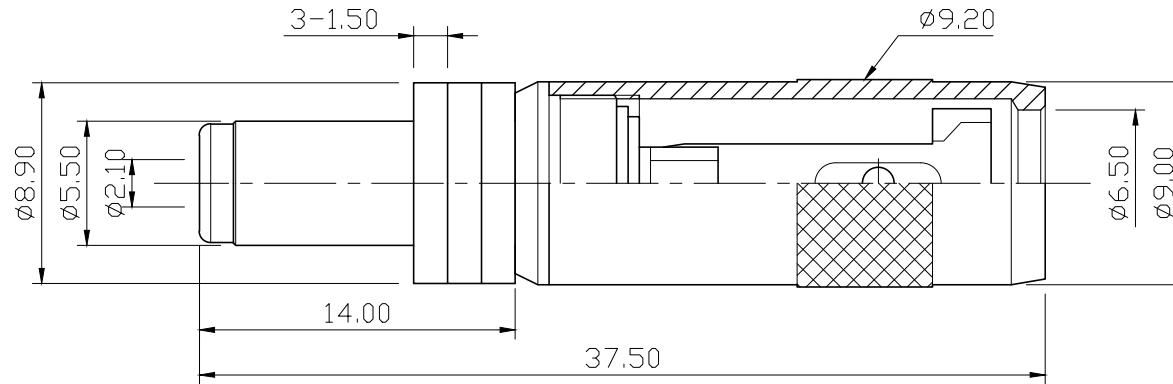
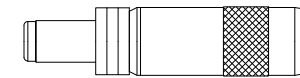


REMARK : RoHS REQUIREMENT APPLIED  
(符合RoHS)




NOTE:

- Rated voltage:12V / Rated current:0.5A.  
(Unable to provide test report)
- Gold(3u") plated without nickel base.



S 1 : 1

	washer	3	PTFE	nature		DIMENSIONS ARE IN MILLIMETERS  UNLESS OTHERWISE PECIFIED TOLERANCES (一般公差) 0.5~6 = ±0.2 >6~30 = ±0.4 >30~120 = ±0.6 >120~315 = ±1 >315~1000 = ±1.6 ANGLES(角度) = ±5°	CHECKED	 雅鈦企業有限公司 Aec Connectors Co., Ltd.		
	shell	1	aluminum	matte black anodic treatment			DRAWN <b>Otis</b>		TITLE 2.1MMx5.5MM DC PLUG	
	clip	1	brass	gold					DATE 2020. 11. 19	DRAWING NO. DCP2.1-101MBATG(PB3u)-POM-6.5
	body	1	phosphor bronze	gold(3u")				FILE NO.DRAWING\AUDIO\DCP\DCP2.1-101MBATG(PB3u)-POM-6.5		
	insulator b	1	POM	black						
	insulator a	1	POM	black						
	contact pin b	1	phosphor bronze	gold(3u")						
	contact pin a	1	phosphor bronze	gold(3u")						
NO.	Description	Unit	Materials	Finish	Drawing No.		SCALE	3 : 1	UNIT	MM