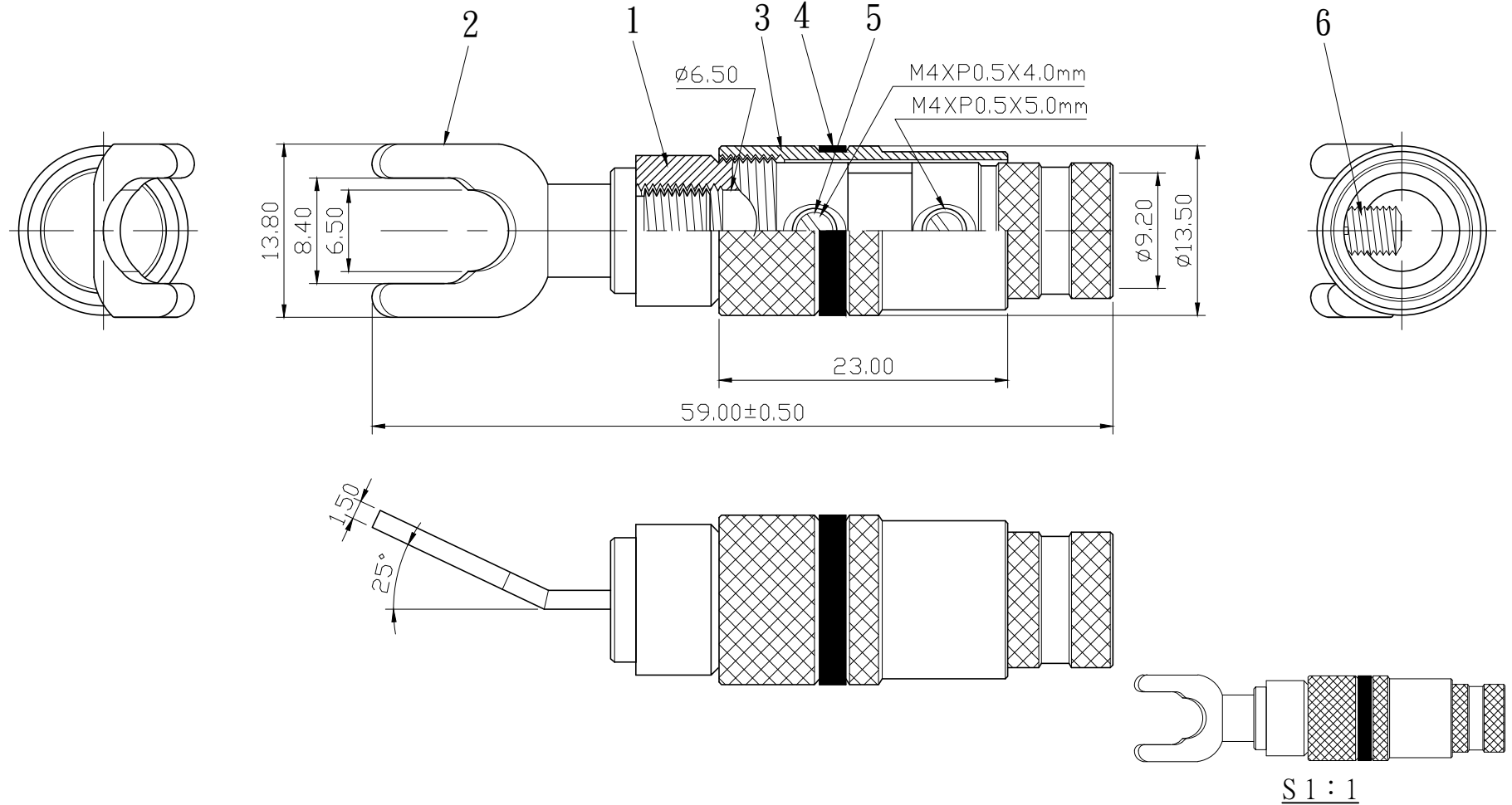


REMARK : RoHS REQUIREMENT APPLIED
(符合RoHS)



NO.	Description	Unit	Materials	Finish	Drawing No.	SCALE	UNIT	MM	CHECKED	TITLE	
7						DIMENSIONS ARE IN MILLIMETERS UNLESS OTHERWISE PECIFIED TOLERANCES (一般公差) 0.5~6 = ±0.2 >6~30 = ±0.4 >30~120 = ±0.6 >120~315 = ±1 >315~1000 = ±1.6 ANGLES(角度) = ±5°				雅鈦企業有限公司 Aec Connectors Co., Ltd. SPADE DRAWING NO. CT-311ZAG-8.4-25-BK/RD-9.2 FILE NO. DRAWING\AUDIO\CT\CT-311ZAG-8.4-25-BK/RD-9.2	
6	screw	1	brass	gold							
5	screw	1	brass	gold							
4	color ring	1	PVC	red/black/white							
3	shell	1	brass	zinc alloy							
2	terminal	1	brass	gold							
1	body	1	brass	gold							
						2 : 1					
									2020. 05. 12		