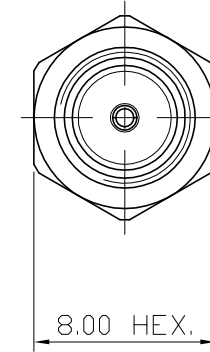
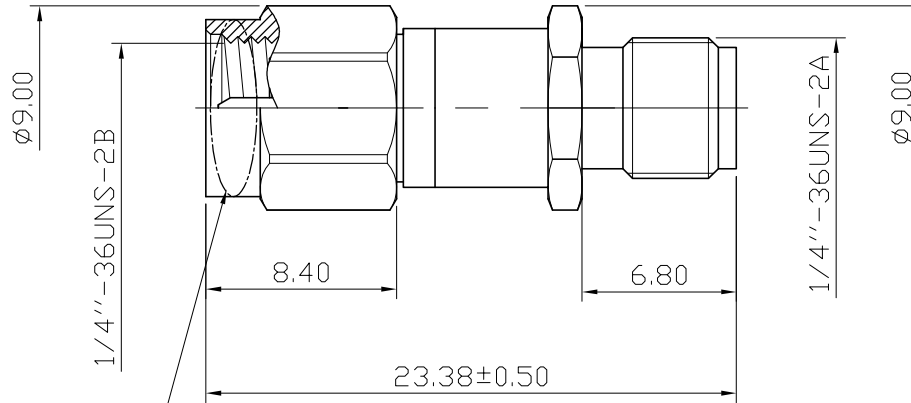
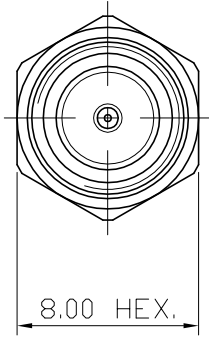


No.	DATE	DESCRIPTION	REV	REMARK : RoHS REQUIREMENT APPLIED (符合RoHS)	DATE	DRAWING NO.
△	2020. 05. 04	Add LOGO (新增商標)				



Electrical Characteristic:

1. Frequency Range: 10MHz ~18GHz
2. Blocked DC Voltage: 50V Max.

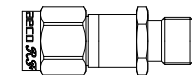
Frequency	Insertion Loss	Return Loss
10MHz ~ 1GHz	0.2dB Max.	32dB Typ. / 20dB Min.
1GHz ~ 4GHz	0.5dB Max.	25dB Typ. / 20dB Min.
4GHz ~ 8GHz	0.75dB Max.	20dB Typ. / 15dB Min.
8GHz ~ 18GHz	0.75dB Typ. / 1.5dB Max.	12dB Min.

**aecco RF**

LOGO : LASER

THE ACTUAL DIRECTION AND POSITION OF THE LOGO MIGHT BE SLIGHTLY DIFFERENT.

-	capacitor	1	film	none	
-	pcb	1	FR4	none	
-	c ring b	1	brass	none	
-	c ring a	1	brass	none	
-	body b	1	stainless steel	passivate	
-	body a	1	stainless steel	passivate	
-	contact pin female	1	beryllium copper	gold(3u")	
-	contact pin male	1	brass	gold(3u")	
-	insulator	2	PTFE	white	
-	c ring	1	stainless steel	none	
-	gasket	1	silicone	red	
-	shell	1	stainless steel	passivate	
NO.	Description	Unit	Materials	Finish	Drawing No.



S 1 : 1

**DIMENSIONS ARE IN MILLIMETERS**

UNLESS OTHERWISE SPECIFIED TOLERANCES (一般公差)  
0.5~6 = ±0.2  
>6~30 = ±0.4  
>30~120 = ±0.6  
>120~315 = ±1  
>315~1000 = ±1.6  
ANGLES(角度) = ±5°

CHECKED

DRAWN

*Jordan*

DATE

2016. 12. 05



**雅鈦企業有限公司**  
**Aec Connectors Co., Ltd.**

TITLE

**DC BLOCK**

DRAWING NO.

**DB-1001S-SA15TP-SA25TP**

FILE NO. DRAWING\RF\DB\DB-1001S-SA15TP-SA25TP

SCALE 3 : 1 UNIT MM