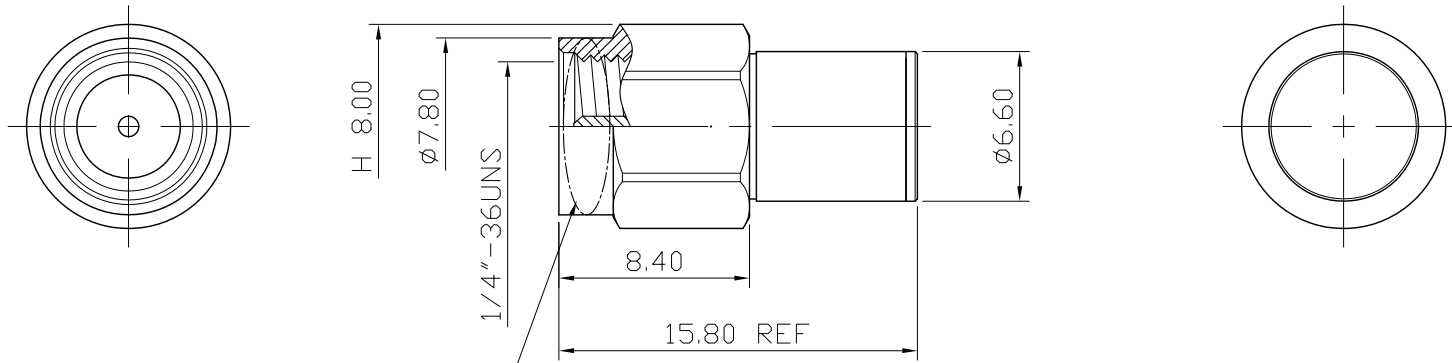


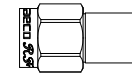
No.	DATE	DESCRIPTION	REV	REMARK : RoHS REQUIREMENT APPLIED (符合RoHS)	DATE	DRAWING NO.
△	2020. 04. 30	Add LOGO (新增商標)	A			



aeco RF

LOGO : LASER

THE ACTUAL DIRECTION AND POSITION OF THE LOGO MIGHT BE SLIGHTLY DIFFERENT.



S 1 : 1

Electrical Characteristic:

1. Impedance: 50 ohm
2. Frequency Range: DC~20 GHz
3. VSWR: 1.05:1 max.@DC~4GHz
1.10:1 max.@4~12GHz
1.20:1 max.@12~20GHz
4. Power Rating: 1 Watt average@20°C

-	cover	1	brass	gold	
-	solder tab	1	brass	none	
-	body	1	brass	gold	
-	resistor	1	none	none	
-	contact pin	1	brass	gold(3u")	
-	insulator	1	PTFE	white	
-	C ring	1	steel	none	
-	gasket	1	silicone	red	
-	shell	1	brass	gold	
NO.	Description	Unit	Materials	Finish	Drawing No.

DIMENSIONS ARE IN MILLIMETERS		
UNLESS OTHERWISE SPECIFIED TOLERANCES (一般公差)		
0.5~6	= ±0.2	
>6~30	= ±0.4	
>30~120	= ±0.6	
>120~315	= ±1	
>315~1000	= ±1.6	
ANGLES(角度) = ±5°		
SCALE	3 : 1	UNIT MM

CHECKED	
DRAWN	<i>Jordan</i>
DATE	2016. 03. 17

 雅鈦企業有限公司 Aec Connectors Co., Ltd.	TITLE	SMA TERMINATOR
	DRAWING NO.	SA-2006GTG-SH0015
FILE NO.		DRAWING\RF\SA\SA-2006GTG-SH0015