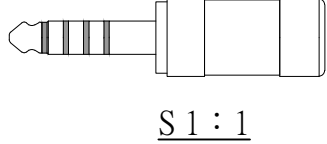
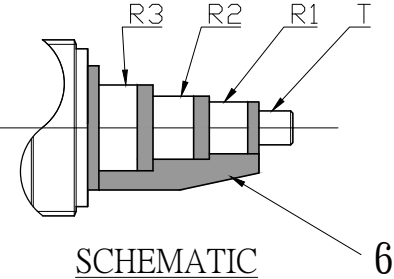
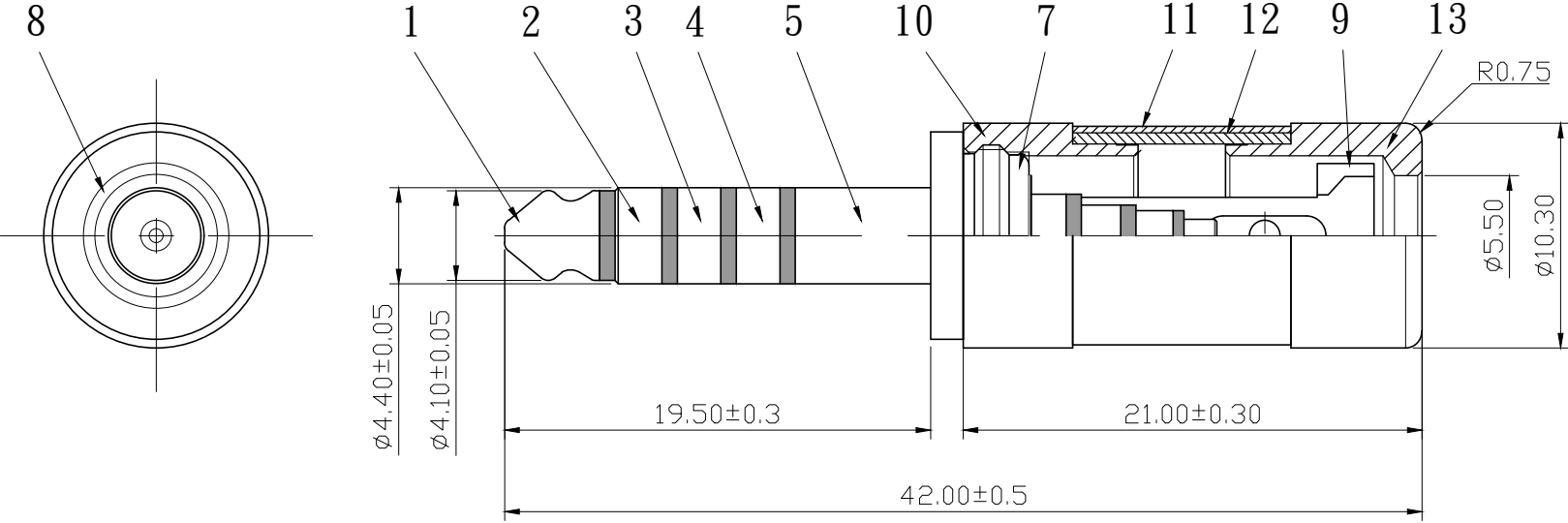


REMARK : RoHS REQUIREMENT APPLIED
(符合RoHS)



13	sleeve	1	brass	gold	
12	tube	1	brass	nature	
11	shell	1	black carbon fiber	nature	
10	sleeve	1	brass	gold	
9	clip	1	brass	gold	
8	ring	1	brass	gold	
7	lock head	1	brass	gold	
6	insulator	4	POM	black	
5	body d	1	brass	gold	
4	body c	1	brass	gold	
3	body b	1	brass	gold	
2	body a	1	brass	gold	
1	contact pin	1	brass	gold	
NO.	Description	Unit	Materials	Finish	Drawing No.

DIMENSIONS ARE IN MILLIMETERS
UNLESS OTHERWISE SPECIFIED
TOLERANCES
(一般公差)
$0.5-6 = \pm 0.2$
$6-30 = \pm 0.4$
$30-120 = \pm 0.6$
$120-315 = \pm 1$
$315-1000 = \pm 1.6$
ANGLES(角度) = $\pm 5^\circ$

CHECKED

DRAWN
Ada
DATE
2020. 02. 03



雅鈦企業有限公司
Aec Connectors Co., Ltd.

TITLE
4.4mm 5 Pole TRS PLUG

DRAWING NO.
AP4.4-552BKFGG-5Pole-5.5

FILE NO. DRAWING\AUDIO\AP4.4-552BKFGG-5Pole-5.5