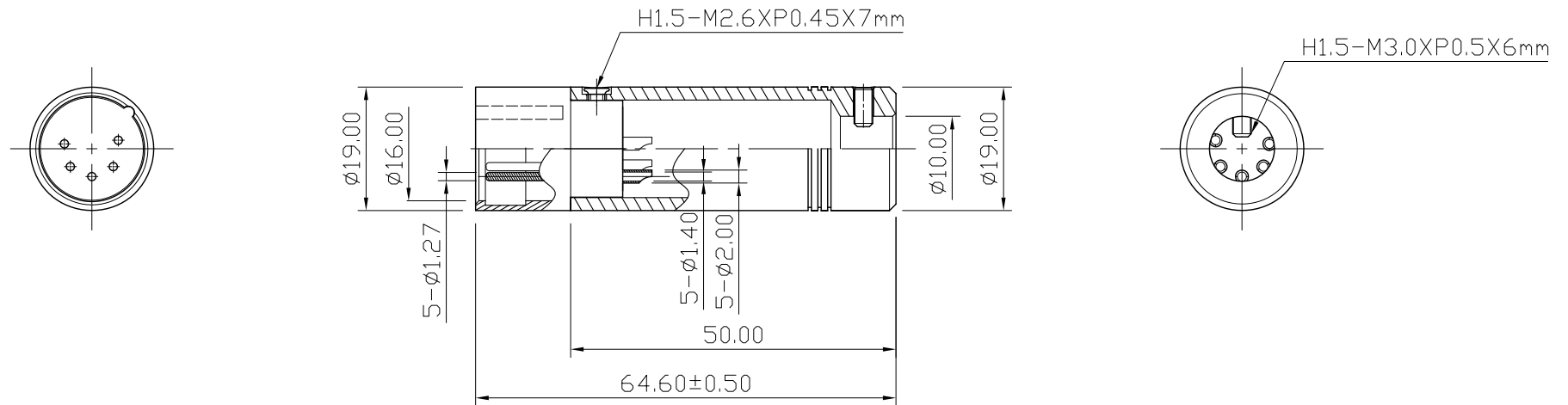



REMARK : RoHS REQUIREMENT APPLIED
(符合RoHS)



S 1 : 1

NO.	Description	Unit	Materials	Finish	Drawing No.	SCALE	1 : 1	UNIT	MM	CHECKED	DATE	FILE NO.	
-						DIMENSIONS ARE IN MILLIMETERS							
-	screw	1	iron	gold		UNLESS OTHERWISE PECIFIED TOLERANCES (一般公差)							
-	screw	1	brass	gold		0.5~6 = ±0.2							
-	shell	1	aluminum	matte black anodic treatment		>6~30 = ±0.4							
-	insulator	1	PTFE	white		>30~120 = ±0.6							
-	body	1	brass	gold		>120~315 = ±1							
-	contact pin	5	tellurium copper	gold		>315~1000 = ±1.6							
						ANGLES(角度) = ±5°							
											2018. 07. 23		
											 雅鈦企業有限公司 Aec Connectors Co., Ltd.		
											TITLE		XLR CONNECTOR
											DRAWING NO.		MI-202MMBAT-5G(Tc)-10.0
											FILE NO.		DRAWING\AUDIO\MIMI-202MMBAT-5G(Tc)-10.0