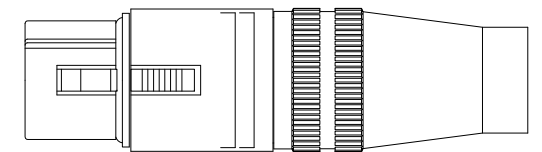
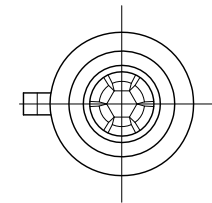
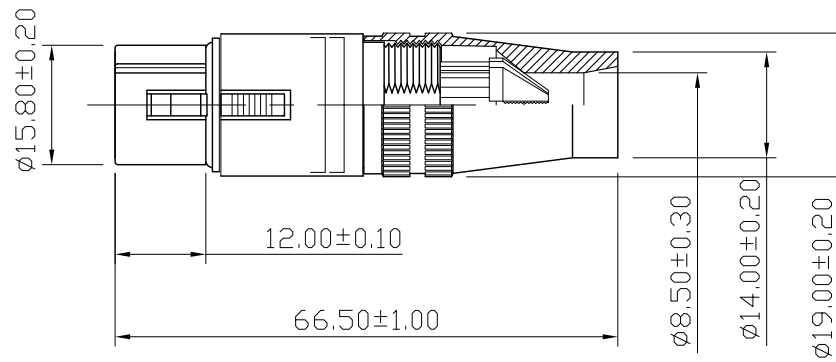
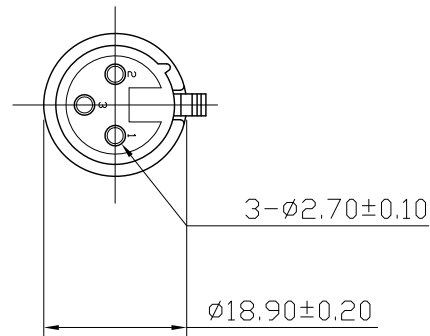



REMARK : RoHS REQUIREMENT APPLIED
(符合RoHS)



S 1 : 1

-	ring	1	FRP	black		DIMENSIONS ARE IN MILLIMETERS UNLESS OTHERWISE SPECIFIED TOLERANCES (一般公差) 0.5~6 = ± 0.2 >6~30 = ± 0.4 >30~120 = ± 0.6 >120~315 = ± 1 >315~1000 = ± 1.6 ANGLES(角度) = $\pm 5^\circ$	CHECKED	 雅鈦企業有限公司 Aec Connectors Co., Ltd.	
-	clip	1	FRP	black			DRAWN <i>Chad</i>		TITLE MICROPHONE CONNECTOR
-	contact pin	3	phosphor bronze	nickel					DATE 2019. 12. 12
-	body	1	PBT+30%fiber	black				FILE NO. DRAWING	GRFMI/MI-104FsbNN(ZA)-3N(PB)
-	solder tab	1	SKD-5	nickel					
-	shell	1	brass	sandblast nickel					
-	shell	1	zinc alloy	nickel					
-	button	1	zinc alloy	nickel					
NO.	Description	Unit	Materials	Finish	Drawing No.		SCALE	1 : 1	UNIT