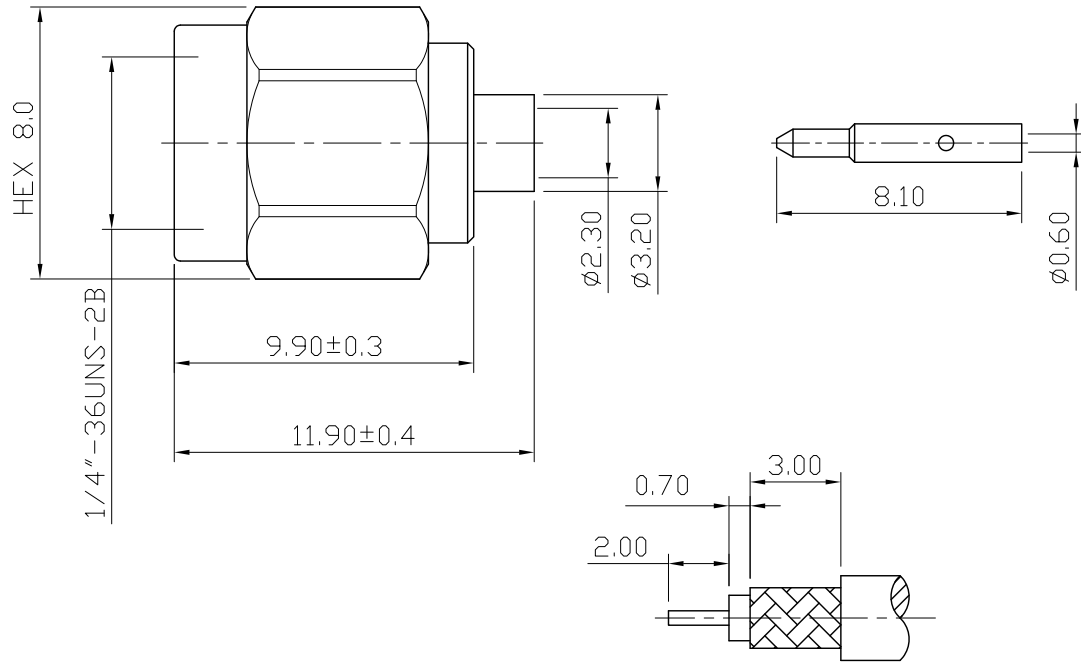


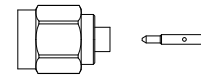
No.	DATE	DESCRIPTION	REV	REMARK : RoHS REQUIREMENT APPLIED (符合RoHS)	DATE	DRAWING NO.
-----	------	-------------	-----	---	------	-------------




Electricals:

1. Impedance: 50 ohms
2. Frequency Range: DC~26.5 GHz
3. VSWR: 1.3 max.
4. Working Voltage: 750V rms min.
5. Insulator Resistance: 5000 MΩ min.

RECOMMENDED CABLE STRIPPING DIM'S
(建議剝線尺寸)



S 1 : 1

-						DIMENSIONS ARE IN MILLIMETERS UNLESS OTHERWISE PECIFIED TOLERANCES (一般公差) 0.5~6 = ±0.2 >6~30 = ±0.4 >30~120 = ±0.6 >120~315 = ±1 >315~1000 = ±1.6 ANGLES(角度) = ±5°	CHECKED	 雅鈦企業有限公司 Aec Connectors Co., Ltd.	
6	contact pin	1	brass	gold (3u")	SA03BR067A		DRAWN <i>Chad</i>		TITLE SMA STRAIGHT PLUG SOLDER FOR SS405(HARBOUR®) CABLE
5	body	1	brass	gold	SA01BR042A				DRAWING NO.
4	insulator	1	PTFE	none	SA02TF032A		DATE	SA-1001AGTG-SF6615 (SA-0083)	
3	c ring	1	sus 304	none	OT14SS018A		2013. 10. 31	FILE NO. DRAWINGRFSASA-1001AGTG-SF6615	
2	gasket	1	silicone	red	OT12SL012A				
1	shell	1	brass	gold	SA05BR001A				
NO.	Description	Unit	Materials	Finish	Drawing No.	SCALE 4 : 1	UNIT MM		