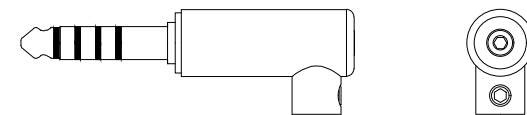
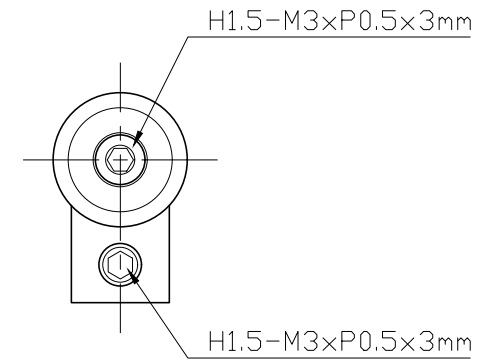
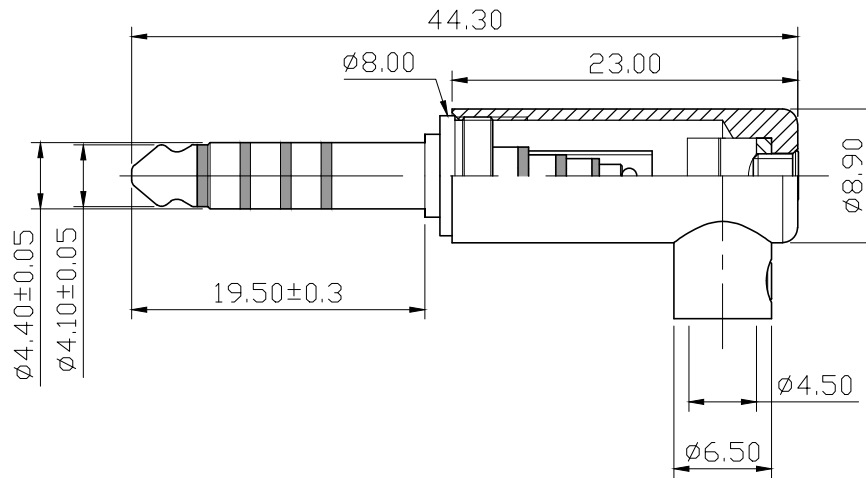


REMARK : RoHS REQUIREMENT APPLIED  
(符合RoHS)




S 1 : 1

-	screw	1	brass	gold	
-	screw	1	brass	gold	
-	shell b	1	aluminum	matte black anodic treatment	
-	shell a	1	aluminum	matte black anodic treatment	
-	lock head	1	brass	gold	
-	insulator	4	POM	black	
-	body d	1	brass	gold	
-	body c	1	brass	gold	
-	body b	1	brass	gold	
-	body a	1	brass	gold	
-	contact pin	1	brass	gold	
NO.	Description	Unit	Materials	Finish	Drawing No.

DIMENSIONS ARE IN MILLIMETERS  
UNLESS OTHERWISE SPECIFIED TOLERANCES (一般公差)  
0.5~6 =  $\pm 0.2$   
>6~30 =  $\pm 0.4$   
>30~120 =  $\pm 0.6$   
>120~315 =  $\pm 1$   
>315~1000 =  $\pm 1.6$   
ANGLES(角度) =  $\pm 5^\circ$

SCALE 2 : 1 UNIT MM

CHECKED  
DRAWN  
*Otis*  
DATE  
2019. 09. 25

 雅鈦企業有限公司  
Aec Connectors Co., Ltd.  
TITLE  
4.4mm 5 Pole TRS PLUG  
DRAWING NO.  
AP4.4-560MBATG-5Pole-4.5  
FILE NO. DRAWING\AUDIO\AP\AP4.4-560MBATG-5Pole-4.5