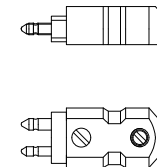
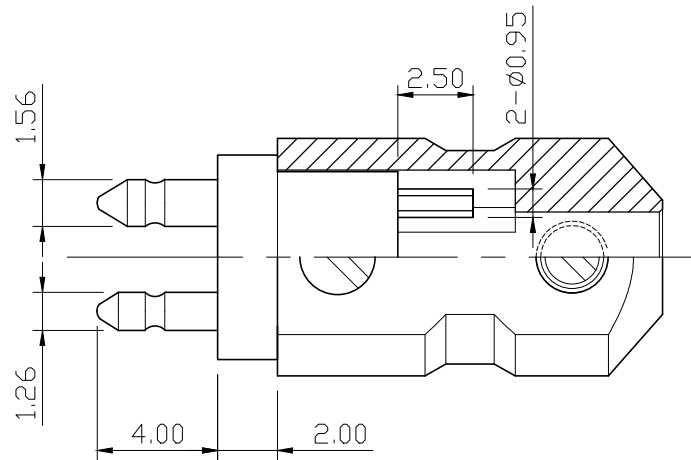
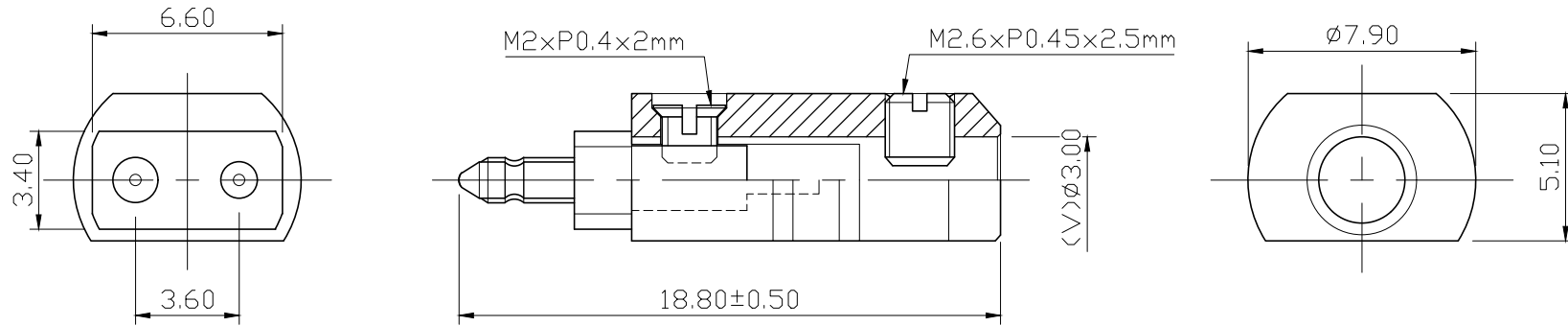



No.	DATE	DESCRIPTION	REV
▲	2019. 10. 01	Drawing update.	A

REMARK : RoHS REQUIREMENT APPLIED  
(符合RoHS)



S 1 : 1

-						DIMENSIONS ARE IN MILLIMETERS			CHECKED	 <b>雅鈦企業有限公司</b> Aec Connectors Co., Ltd.	
6	screw	1	brass	gold		UNLESS OTHERWISE SPECIFIED TOLERANCES (一般公差)			DRAWN <b>Otis</b>		
5	screw	1	brass	gold		0.5~6 = ±0.2					
4	shell	1	aluminum	matte black anodic treatment		>6~30 = ±0.4					
3	insulator	1	POM	black		>30~120 = ±0.6					
2	contact pin	1	brass	gold		>120~315 = ±1					
1	contact pin	1	brass	gold		>315~1000 = ±1.6			DATE 2018. 07. 11		
NO.	Description	Unit	Materials	Finish	Drawing No.	SCALE	4 : 1	UNIT	MM	FILE NO.	DRAWING\AUDIO\MP\IP-410MBATG-POM-3.0

TITLE 2P IEM PLUG

DRAWING NO. IP-410MBATG-POM-3.0