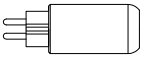
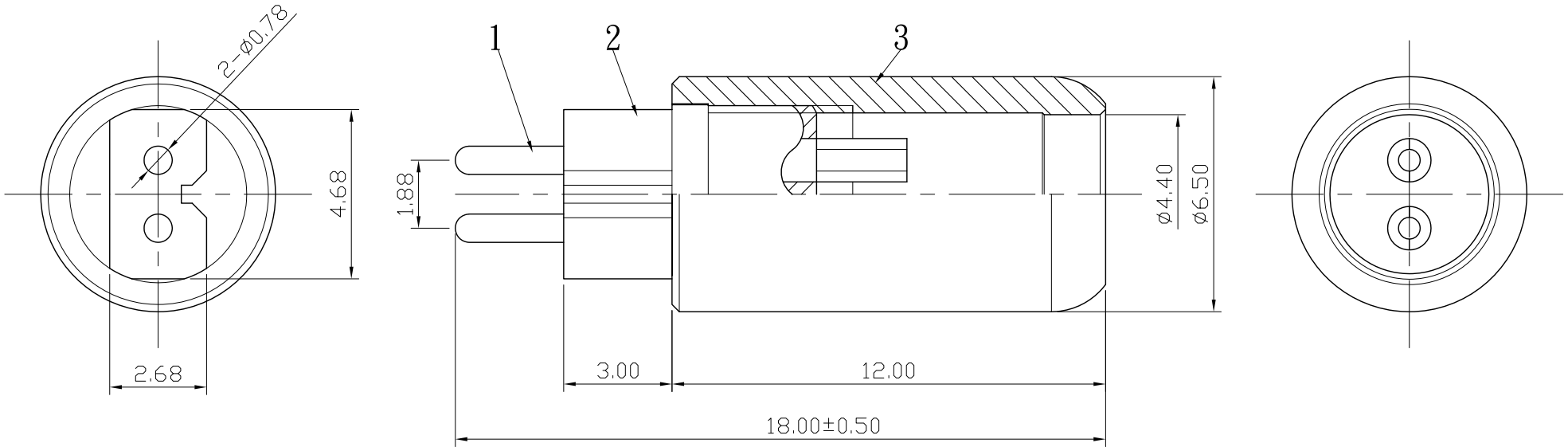



REMARK : RoHS REQUIREMENT APPLIED
(符合RoHS)



S 1 : 1

-						DIMENSIONS ARE IN MILLIMETERS UNLESS OTHERWISE SPECIFIED TOLERANCES (一般公差) 0.5~6 = ±0.2 >6~30 = ±0.4 >30~120 = ±0.6 >120~315 = ±1 >315~1000 = ±1.6 ANGLES(角度) = ±5°	CHECKED	 雅鈦企業有限公司 Aec Connectors Co., Ltd.	
-							TITLE		2P IEM PLUG
-							DRAWN		DRAWING NO.
3	shell	1	aluminum	sandblast gold			<i>Chad</i>	IP-002sbG(AL)G-POM-4.4	
2	insulator	1	POM	black			DATE	FILE NO. DRAWING	
1	contact pin	2	brass	gold		2019. 11. 11	VAUDIO\PIP-002sbG(AL)G-POM-4.4		
NO.	Description	Unit	Materials	Finish	Drawing No.	SCALE	6 : 1	UNIT	MM