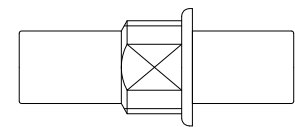
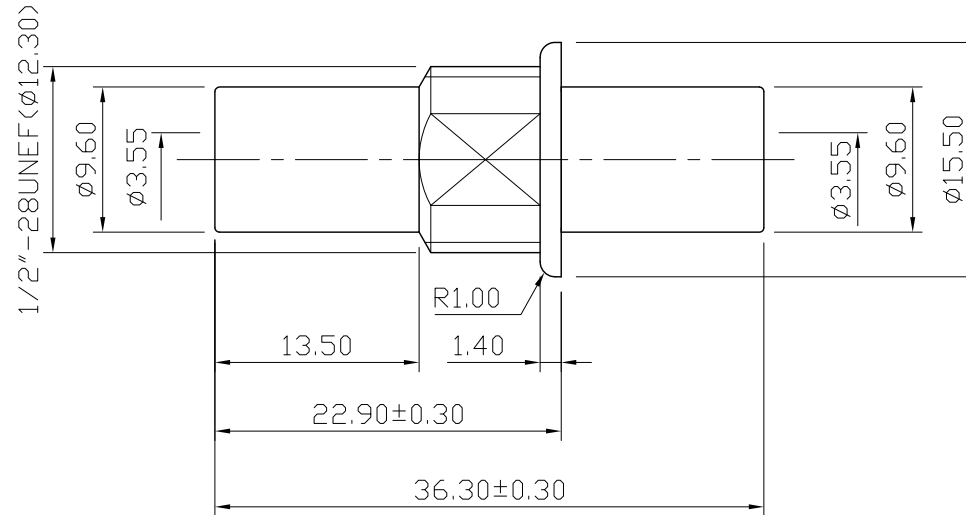
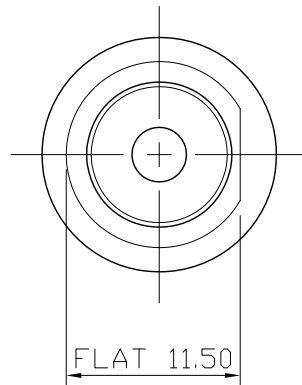



REMARK : RoHS REQUIREMENT APPLIED
(符合RoHS)



S 1 : 1

-						DIMENSIONS ARE IN MILLIMETERS UNLESS OTHERWISE PECIFIED TOLERANCES (一般公差) 0.5~6 = ±0.2 >6~30 = ±0.4 >30~120 = ±0.6 >120~315 = ±1 >315~1000 = ±1.6 ANGLES(角度) = ±5°	CHECKED	 雅鈦企業有限公司 Aec Connectors Co., Ltd.			
-	sleeve	2	PVC	transparent							
-	contact pin	4	phosphor bronze	nickel					TITLE	TRRS ADAPTORS	
-	body	1	PC	black			DRAWN		<i>Otis</i>	DRAWING NO.	RA-312NN-4Pole
-	shell	1	brass	nickel			DATE		2015. 07. 27	FILE NO.	DRAWINGAUDIO\RA-312NN-4Pole
-	shell	1	brass	nickel							
NO.	Description	Unit	Materials	Finish	Drawing No.	SCALE	2 : 1	UNIT	MM		