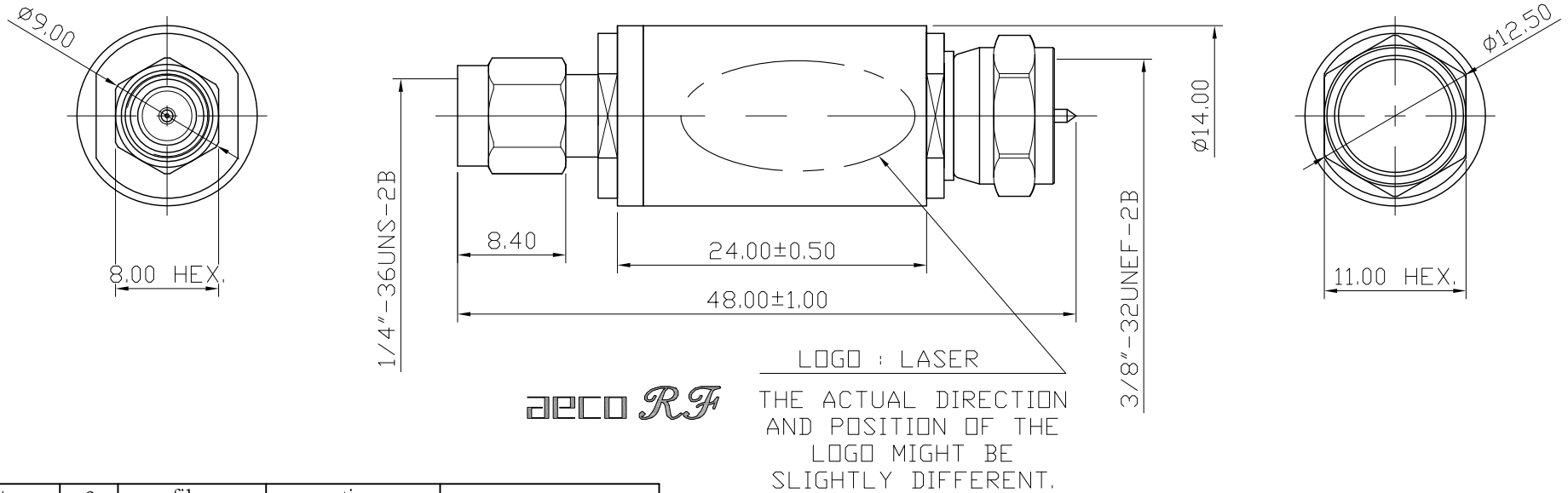
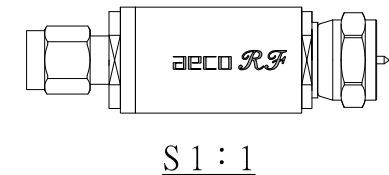


No.	DATE	DESCRIPTION	REV	REMARK : RoHS REQUIREMENT APPLIED (符合RoHS)	DATE	DRAWING NO.
-----	------	-------------	-----	---	------	-------------



**Electrical Characteristic :**  
**Frequency Range : DC~3GHz**  
**VSWR : 1.25:1 max.**  
**Insertion Loss : 5.7±0.5dB**



15	resistor	2	film	tin	
14	screw	2	brass	nickel	
13	pcb board	1	FR4	tin	
12	shell-f	1	brass	nickel	
11	body-f	1	brass	nickel	
10	insulator-f	1	PTFE	nature	
9	contact pin-f	1	brass	gold (3u")	
8	shell	1	brass	nickel	
7	body	1	brass	nickel	
6	contact pin-sma	1	brass	gold (3u")	
5	insulator-sma	1	PTFE	nature	
4	body-sma	1	brass	nickel	
3	c ring	1	stainless steel	passivate	
2	gasket	1	silicone	red	
1	shell-sma	1	stainless steel	passivate	
NO.	Description	Unit	Materials	Finish	Drawing No.

DIMENSIONS ARE IN MILLIMETERS

UNLESS OTHERWISE SPECIFIED TOLERANCES (一般公差)

0.5~6 = ±0.2  
>6~30 = ±0.4  
>30~120 = ±0.6  
>120~315 = ±1  
>315~1000 = ±1.6


ANGLES(角度) = ±5°

SCALE 2 : 1 UNIT MM

CHECKED

DRAWN *Jordan*

DATE 2018. 01. 10



**雅鈦企業有限公司**  
Aec Connectors Co., Ltd.

TITLE SMA PLUG 50 Ohm TO F PLUG 75 Ohm  
IMPEDANCE MATCHING PAD

DRAWING NO. MP-1001S-SA15TA-FS17TA

FILE NO. DRAWING\RF\MPPMP-1001S-SA15TA-FS17TA