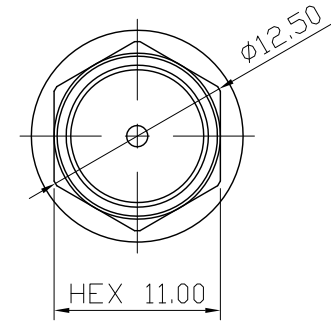
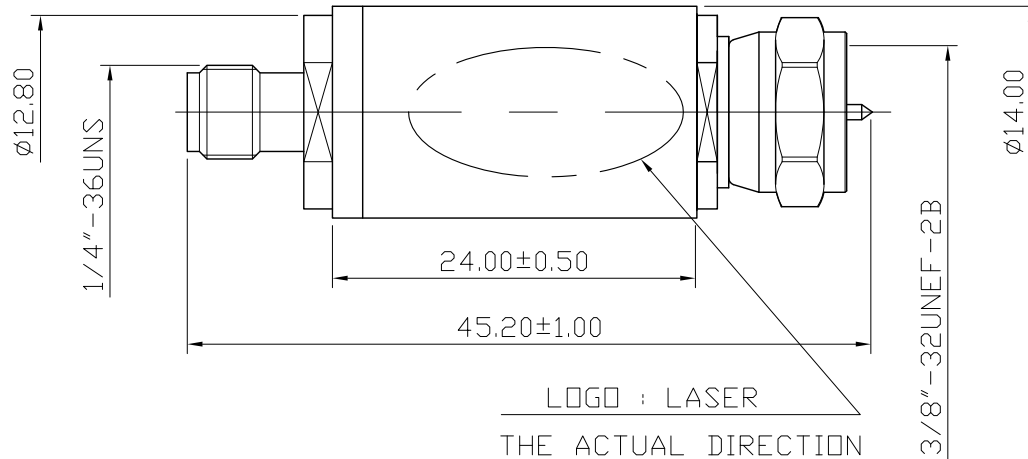
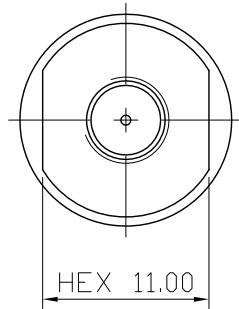


No.	DATE	DESCRIPTION	REV	REMARK : RoHS REQUIREMENT APPLIED (符合RoHS)	DATE	DRAWING NO.
-----	------	-------------	-----	---	------	-------------



LOGO : LASER
 THE ACTUAL DIRECTION
 AND POSITION OF THE
 LOGO MIGHT BE
 SLIGHTLY DIFFERENT.

aeco RF

Electrical Characteristic :
 Frequency Range : DC~3GHz
 VSWR : 1.25:1 max.
 Insertion Loss : 5.7±0.5dB
 Input Power : 1 Watt max.



S 1 : 1

12	resistor	2	ceramic	tin	
11	screw	2	brass	nickel	
10	pcb board	1	FR4	tin	
9	shell-f	1	brass	nickel	
8	body-f	1	brass	nickel	
7	insulator-f	1	PTFE	nature	
6	contact pin-f	1	brass	gold (3u")	
5	shell	1	brass	nickel	
4	body	1	brass	nickel	
3	contact pin-sma	1	bellium copper	gold (3u")	
2	insulator-sma	1	PTFE	nature	
1	body-sma	1	stainless steel	passivate	
NO.	Description	Unit	Materials	Finish	Drawing No.

DIMENSIONS ARE IN MILLIMETERS
 UNLESS OTHERWISE SPECIFIED
 TOLERANCES
 (一般公差)
 0.5~6 = ±0.2
 >6~30 = ±0.4
 >30~120 = ±0.6
 >120~315 = ±1
 >315~1000 = ±1.6
 ANGLES(角度) = ±5°

CHECKED
 DRAWN
Jordan
 DATE
 2018. 03. 21

雅鈦企業有限公司
 Aec Connectors Co., Ltd.

TITLE SMA JACK 50 Ohm TO F PLUG 75 Ohm
 IMPEDANCE MATCHING PAD

DRAWING NO.
 MP-1001S-SA25TA-FS17TA

FILE NO. DRAWINGVRFMPMP-1001S-SA25TA-FS17TA