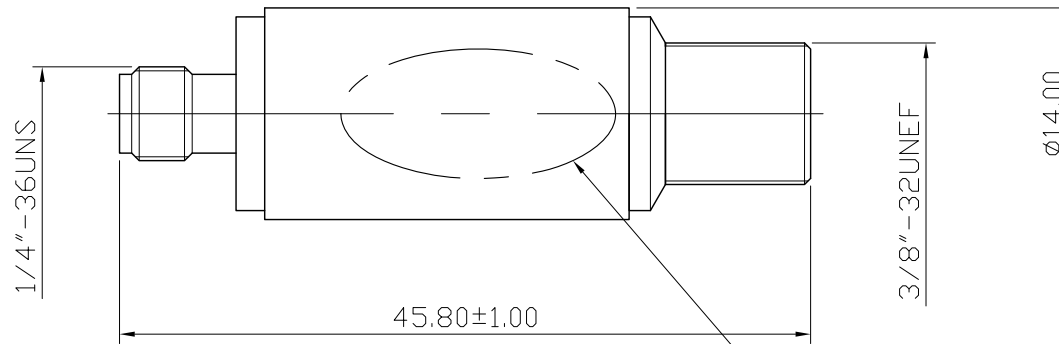


No.	DATE	DESCRIPTION	REV	REMARK : RoHS REQUIREMENT APPLIED (符合RoHS)	DATE	DRAWING NO.
-	2019. 10. 21	Add LOGO (新增商標)	A			



LOGO : LASER

THE ACTUAL DIRECTION
AND POSITION OF THE
LOGO MIGHT BE
SLIGHTLY DIFFERENT.

aeco RF



S 1 : 1

Electrical Characteristic :
Frequency Range : DC~3GHz
VSWR : 1.2:1 max.
Insertion Loss : 5.7±0.5dB
Input Power : 1 Watt

-	resistor	2	film	none	
-	screw	2	brass	nickel	
-	PCB board	1	FR4	none	
-	body-f	1	brass	nickel	
-	insulator-f	1	PTFE	nature	
-	contact pin-f	1	bellium copper	gold (3u")	
-	shell	1	brass	nickel	
-	body	1	brass	nickel	
-	contact pin-sma	1	bellium copper	gold (3u")	
-	insulator-sma	1	PTFE	nature	
-	body-sma	1	stainless steel	passivate	

DIMENSIONS ARE IN
MILLIMETERS

UNLESS OTHERWISE PECIFIED
TOLERANCES
(一般公差)
0.5~6 = ±0.2
>6~30 = ±0.4
>30~120 = ±0.6
>120~315 = ±1
>315~1000 = ±1.6
ANGLES(角度) = ±5°

CHECKED

DRAWN

Jordan

DATE

2015. 07. 07



雅鈦企業有限公司
Aec Connectors Co., Ltd.

TITLE SMA JACK 50 Ohm TO F JACK 75 Ohm
IMPEDANCE MATCHING PAD

DRAWING NO.

MP-1001S-SA25TA-FS27TA

FILE NO. DRAWINGR\FMPMP-1001S-SA25TA-FS27TA

NO.	Description	Unit	Materials	Finish	Drawing No.	SCALE	2 : 1	UNIT	MM
-----	-------------	------	-----------	--------	-------------	-------	-------	------	----