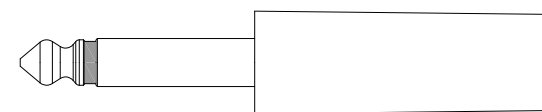
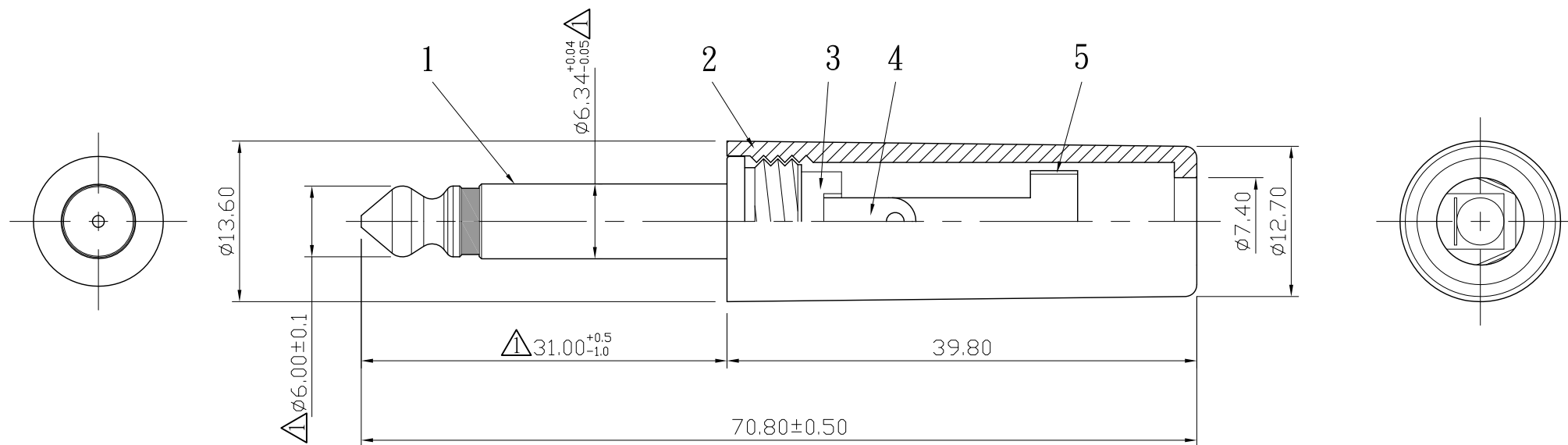


No.	DATE	DESCRIPTION	REV
△	2019. 09. 16	Drawing revised (圖面修正)	A

REMARK : RoHS REQUIREMENT APPLIED
(符合RoHS)



S 1 : 1

-	contact pin	1	iron	nickel	
-	clip	1	brass	nickel	
-	solder tab	1	brass	nickel	
-	insulator	1	POM	black	
-	insulator	1	POM	white	
-	shell	1	plastic	black	
-	body	1	brass	nickel	
-	body	1	brass	nickel	
-	body	1	brass	nickel	
NO.	Description	Unit	Materials	Finish	Drawing No.

DIMENSIONS ARE IN MILLIMETERS
UNLESS OTHERWISE SPECIFIED
TOLERANCES
(一般公差)
0.5~6 = ±0.2
>6~30 = ±0.4
>30~120 = ±0.6
>120~315 = ±1
>315~1000 = ±1.6
ANGLES(角度) = ±5°

CHECKED

DRAWN
Chad
DATE
2011. 04. 06

 雅鈦企業有限公司 Aec Connectors Co., Ltd.	TITLE	AUDIO PLUG
	DRAWING NO.	AP6.3-257BKPLN-Mono-7.4
	FILE NO.	DRAWING\AUDIO\AP\AP6.3-257BKPLN-Mono-7.4