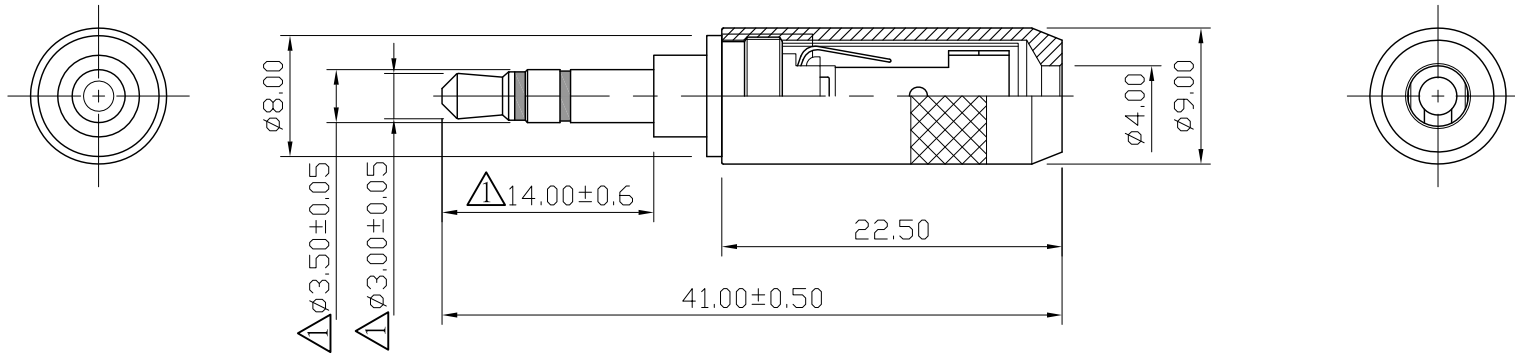
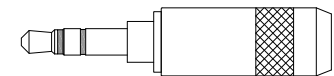


No.	DATE	DESCRIPTION	REV
△	2019. 08. 08	Drawing revised (圖面修正)	A

REMARK : RoHS REQUIREMENT APPLIED
(符合RoHS)



-	sleeve	1	PE	transparent	
-	shell	1	aluminum	clear anodic treatment	
-	clip	1	brass	gold	
-	insulator	1	POM	white	
-	insulator	1	POM	white	
-	insulator	1	POM	black	
-	insulator	1	POM	black	
-	solder tab	1	brass	gold	
-	solder tab	1	brass	gold	
-	contact pin	1	brass	gold	
-	body	1	brass	gold	
-	body	1	brass	gold	
-	body	1	brass	gold	
-	body	1	brass	gold	
NO.	Description	Unit	Materials	Finish	Drawing No.



S 1 : 1

DIMENSIONS ARE IN
MILLIMETERS
UNLESS OTHERWISE SPECIFIED
TOLERANCES
(一般公差)
0.5~6 = ±0.2
>6~30 = ±0.4
>30~120 = ±0.6
>120~315 = ±1
>315~1000 = ±1.6
ANGLES(角度) = ±5°

CHECKED

DRAWN

Chad

DATE

2016. 02. 26



雅鈦企業有限公司
Aec Connectors Co., Ltd.

TITLE

AUDIO PLUG

DRAWING NO.

AP3.5-303ALG-Stereo-4.0

FILE NO. DRAWING\AUDIO\AP3.5-303ALG-Stereo-4.0

SCALE 2 : 1 UNIT MM