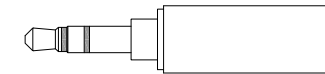
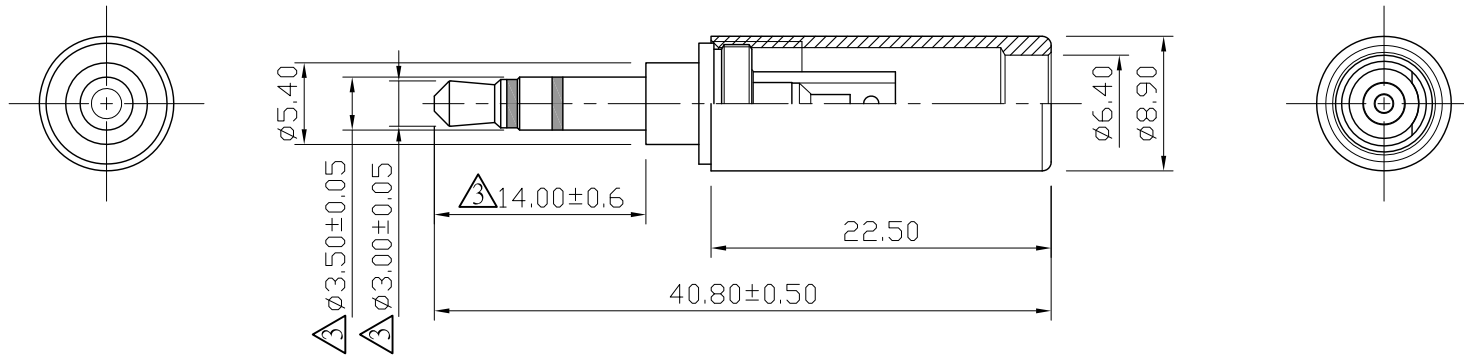


No.	DATE	DESCRIPTION	REV
①	2013. 12. 12	Drawing to renew 圖面更新	A
①	2014. 02. 27	Drawing to renew 圖面更新	B
②	2014. 06. 04	Drawing to revised 圖面修正	C
③	2019. 07. 23	Drawing revised (圖面修正)	D

REMARK : RoHS REQUIREMENT APPLIED
(符合RoHS)



S 1 : 1

-	shell	1	aluminum	matte black anodic treatment	
-	insulator	1	plastic	black	
-	insulator	1	plastic	black	
-	body	1	brass	gold	
-	body	1	brass	gold	
-	body	1	brass	gold	
-	body	1	brass	gold	
-	contact pin	1	brass	gold	
NO.	Description	Unit	Materials	Finish	Drawing No.

DIMENSIONS ARE IN MILLIMETERS
UNLESS OTHERWISE SPECIFIED
TOLERANCES
(一般公差)
0.5~6 = ±0.2
>6~30 = ±0.4
>30~120 = ±0.6
>120~315 = ±1
>315~1000 = ±1.6
ANGLES(角度) = ±5°

CHECKED

DRAWN

Chad

DATE

2013. 12. 11



雅鈦企業有限公司
Aec Connectors Co., Ltd.

TITLE

AUDIO PLUG

DRAWING NO.

AP3.5-208MBALG-Stereo-6.4

FILE NO. DRAWING\AUDIO\APAP3.5-208MBALG-Stereo-6.4

SCALE 2 : 1 UNIT MM